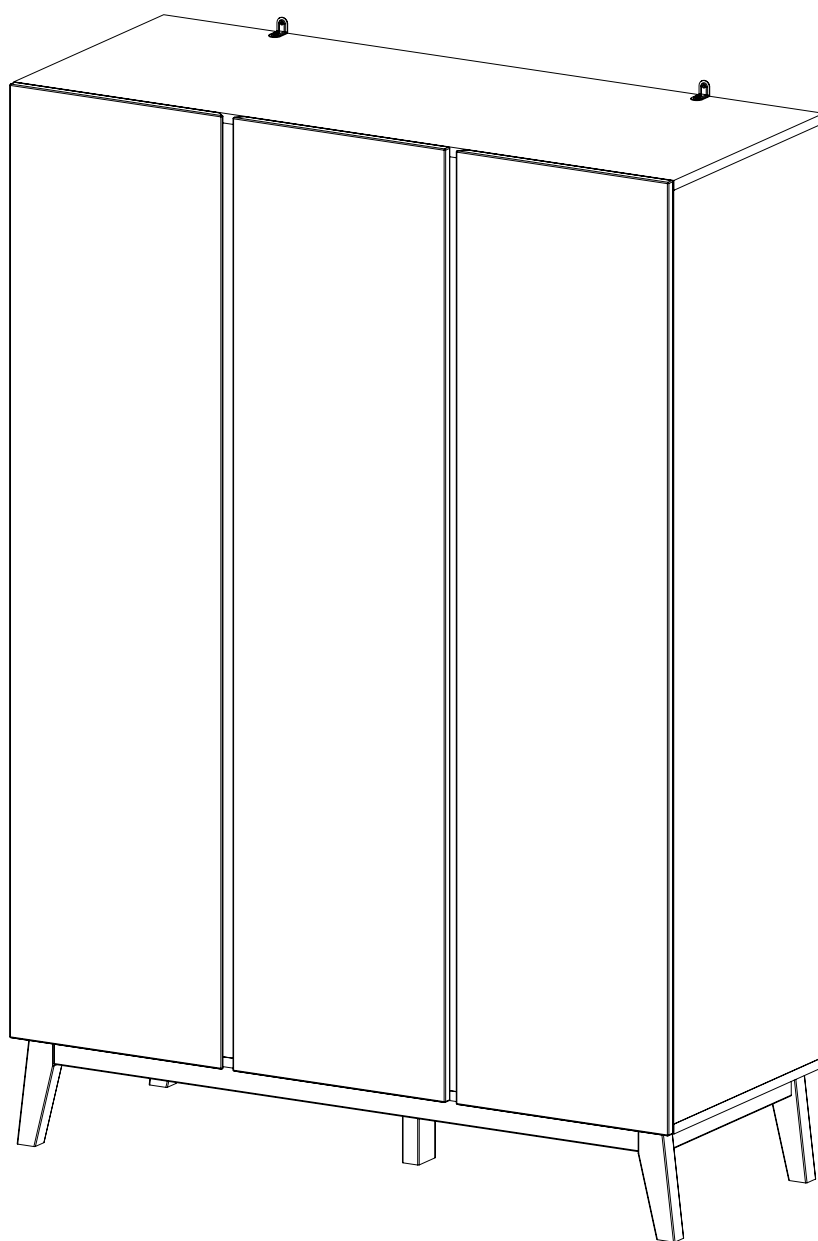
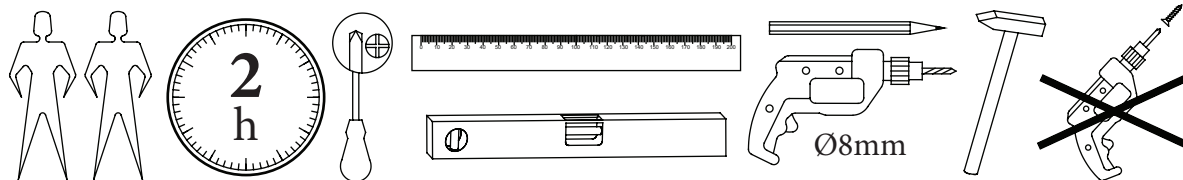


# VENTA

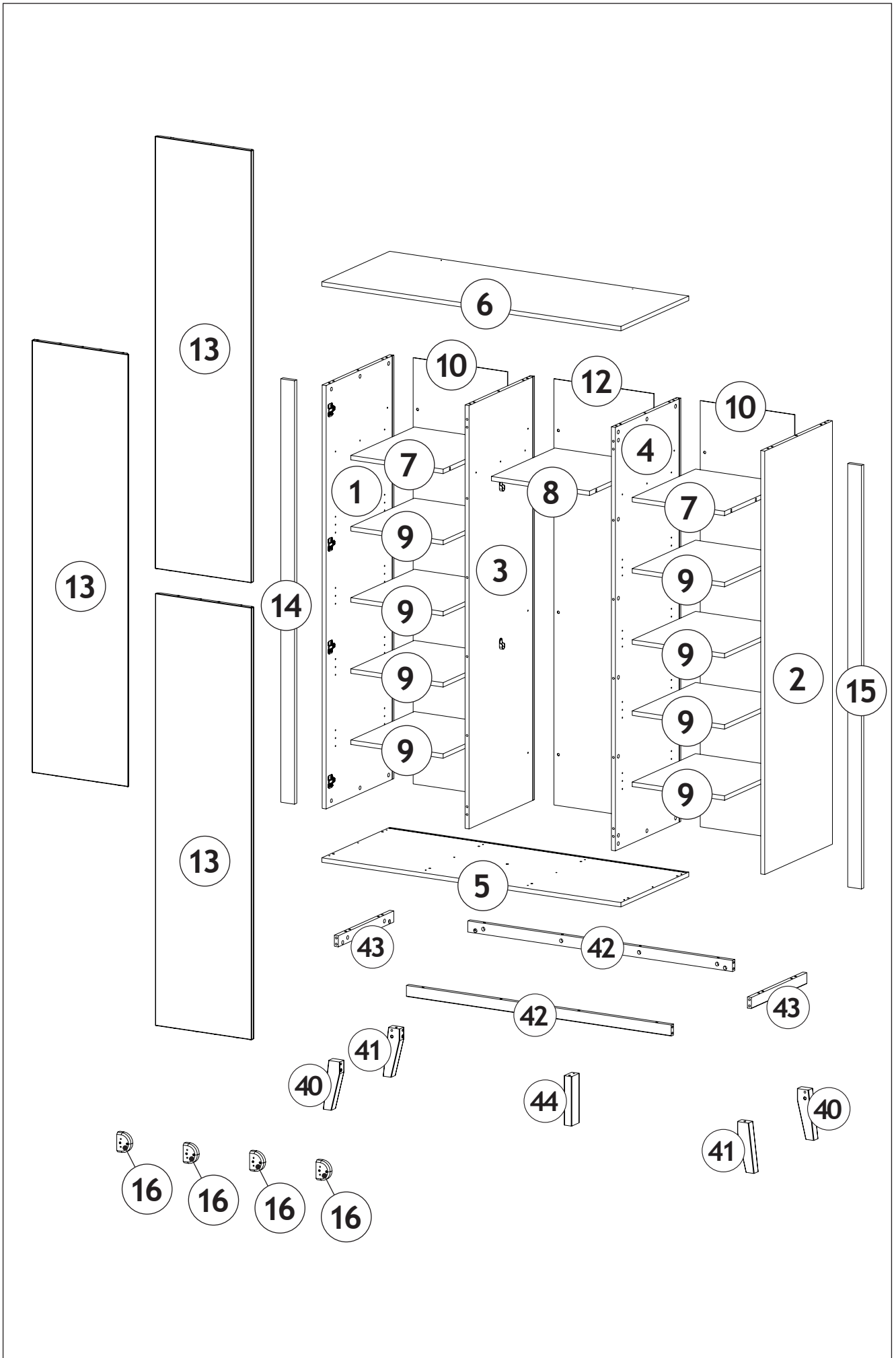
Art. 3560885



67909

Teil Nr. Pieces No. Kārtas nr.	Anzahl Quantity Skaitis	Kasten Nr. Colli No. Kastes nr.	Maß, mm Dimensions, mm Izmēri, mm	
1	1	2/5	1714 x 530 x 18	
2	1	2/5	1714 x 530 x 18	
3	1	3/5	1714 x 512 x 18	
4	1	3/5	1714 x 512 x 18	
5	1	4/5	1351 x 531 x 18	
6	1	4/5	1351 x 531 x 18	
7	2	1/5	417 x 496 x 18	
8	1	1/5	443 x 496 x 18	
9	8	1/5	417 x 496 x 18	
10	2	2/5	1725 x 426 x 3,2	
12	1	2/5	1725 x 451 x 3,2	
13	3	5/5	1750 x 435 x 18	
14	1	5/5	1714 x 62 x 18	
15	1	5/5	1714 x 62 x 18	
16	4	1/5	80 x 60 x 22	
40	2	4/5	208 x 56 x 34	
41	2	4/5	208 x 56 x 34	
42	2	4/5	1196 x 45 x 18	
43	2	4/5	434 x 45 x 18	
44	1	4/5	200 x 60 x 34	

67909



67909



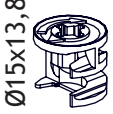
**H1**  
(x33)



**H10**  
(x8)



**D17**  
(x48)



**D3**  
(x48)



**D21**  
(x6)



**D197**  
(x8)



**D196**  
(x8)



**D198**  
(x8)



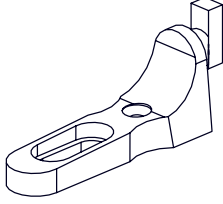
**A1**  
(x44)



**A13**  
(x8)



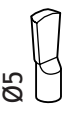
**A27**  
(x1)



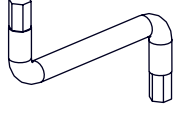
**D138**  
(x18)



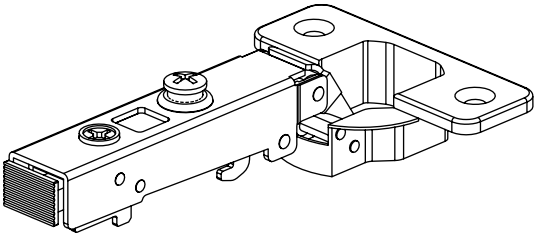
**A89**  
(x18)



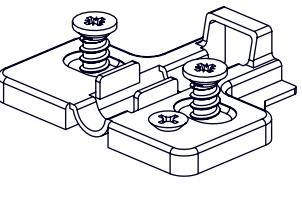
**D1**  
(x32)



**A5**  
(x1)



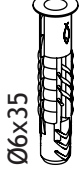
**G89**  
(x12)



**G75**  
(x4)



**A69**  
(x2)

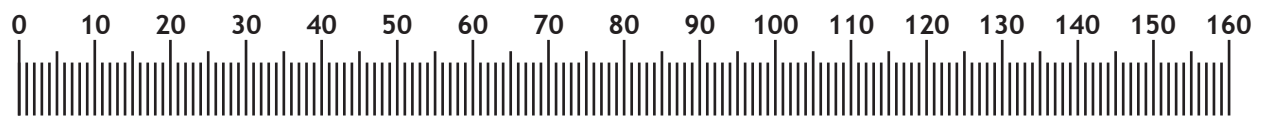


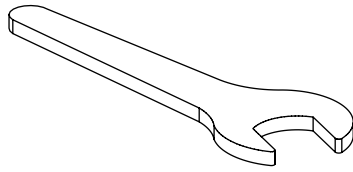
**H12**  
(x2)

**LV** Godātais pircējs, šeit Jums ir iespēja izmērīt pievienotās skrūves.

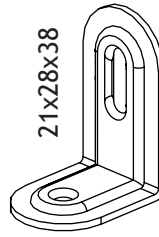
**UK** Dear customer, here you have the possibility of measuring the supplied screws.

**D** Sehr geehrter Kunde, hier haben Sie die Möglichkeit mitgelieferte Schrauben nachzumessen.

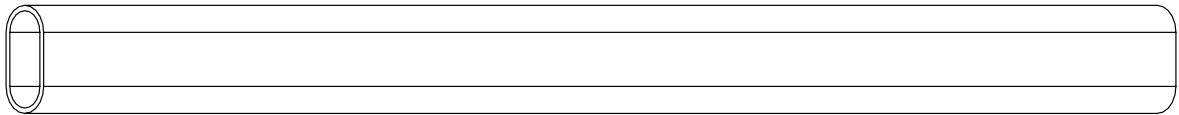




**A193**  
**(×1)**  
13mm (M8)

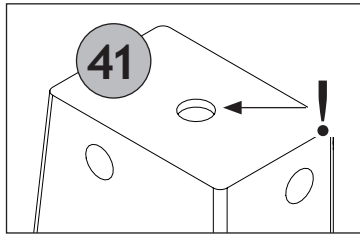


**D28**  
**(×2)**



**L3**  
**(×2)**  
437mm

1



34mm 51mm

40

D198  
D198

34mm 51mm

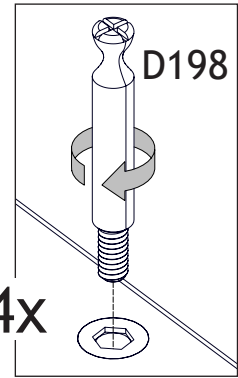
41

D198

D198  
(x4)

D198

4x



2

D198 34mm 51mm

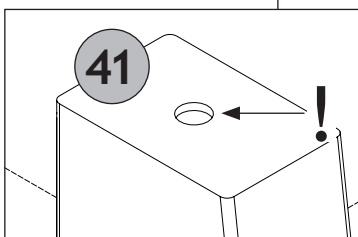
D198  
(x4)

D198 34mm 51mm

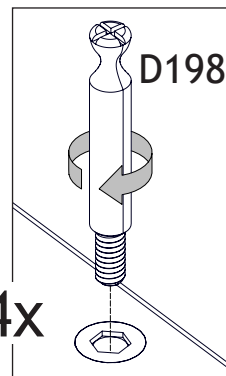
D198 D198

40

41



4x



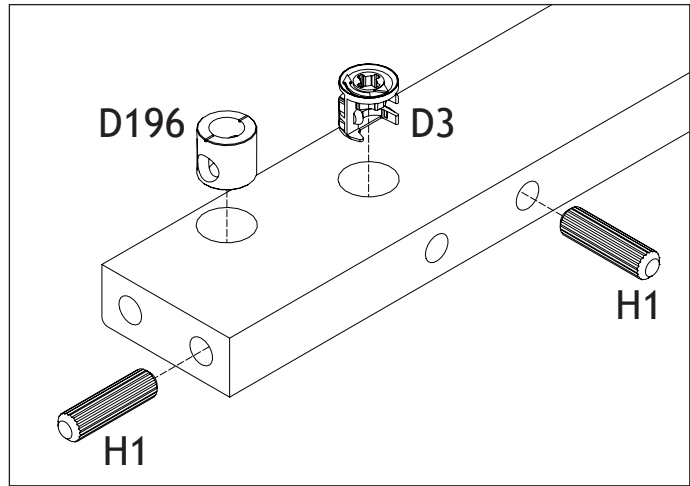
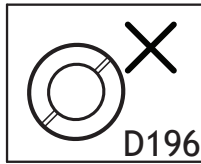
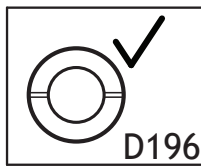
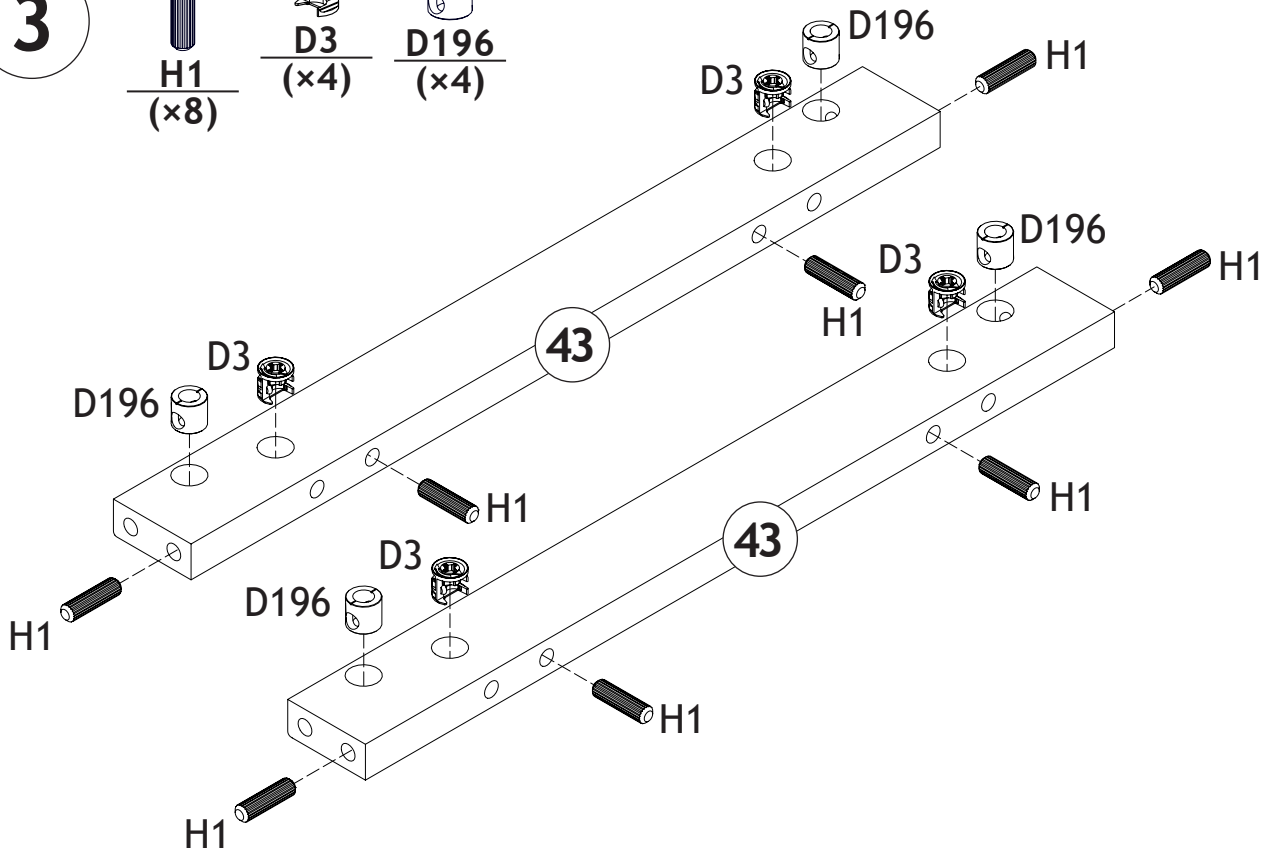
67909

3

H1  
(x8)

D3  
(x4)

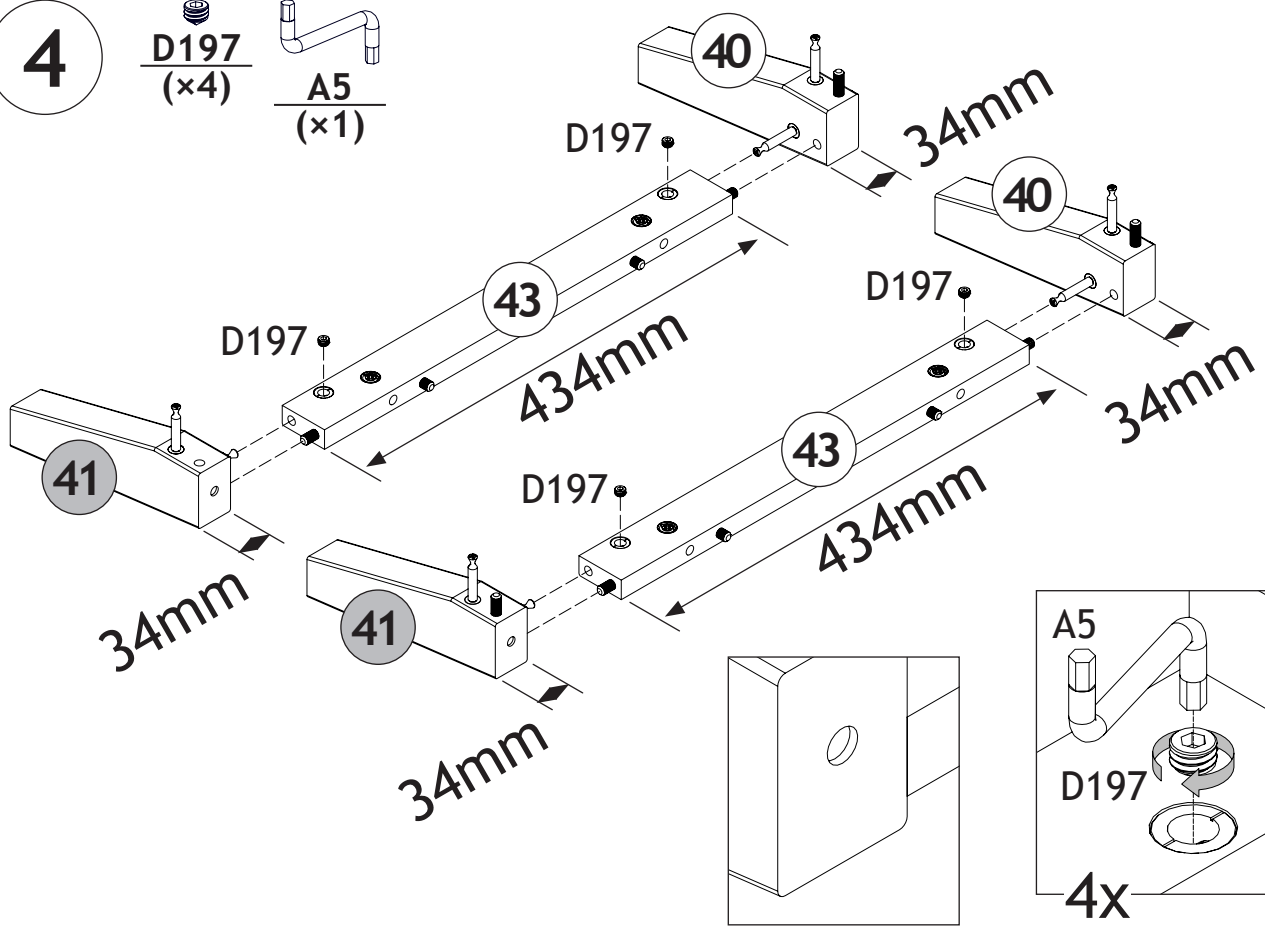
D196  
(x4)



4

D197  
(x4)

A5  
(x1)

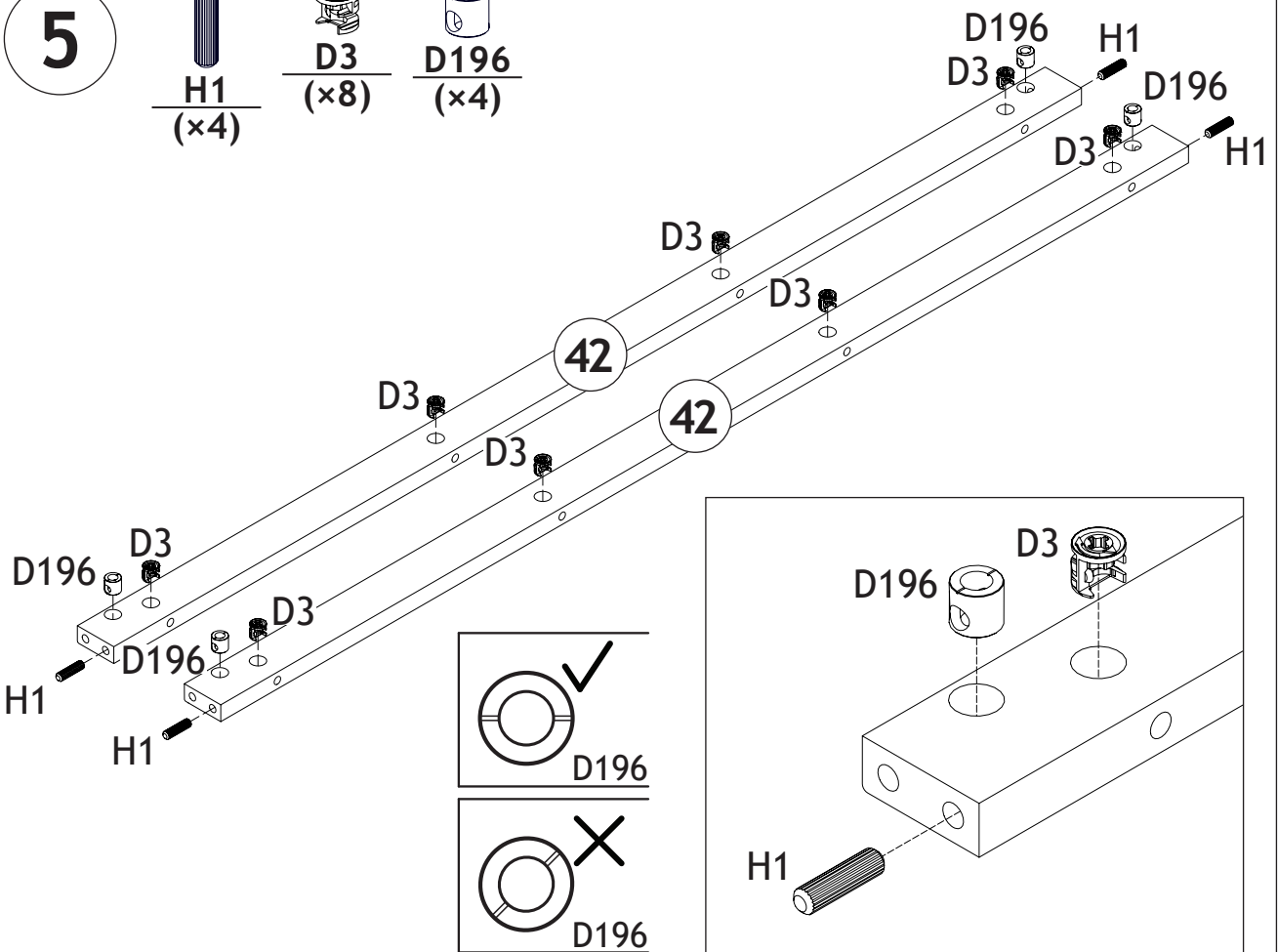


5

H1  
(x4)

D3  
(x8)

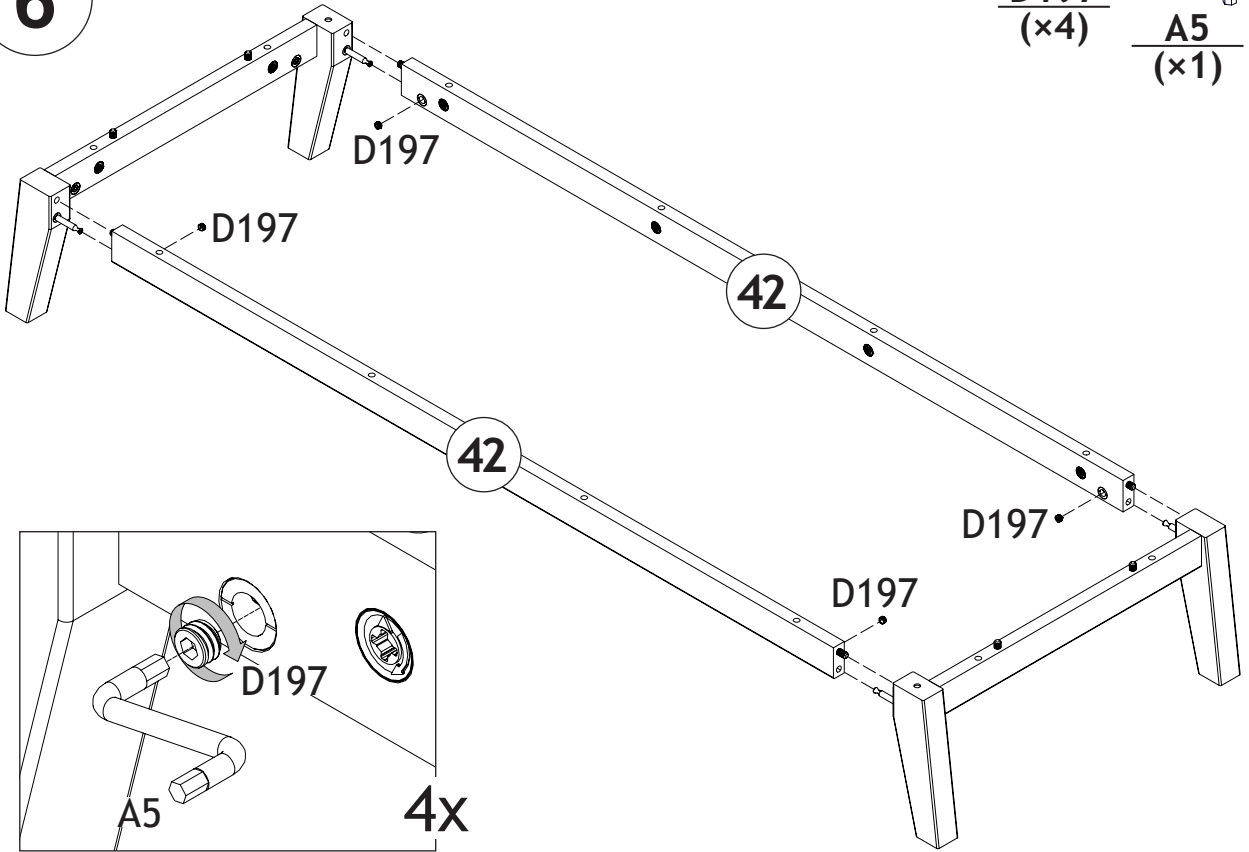
D196  
(x4)





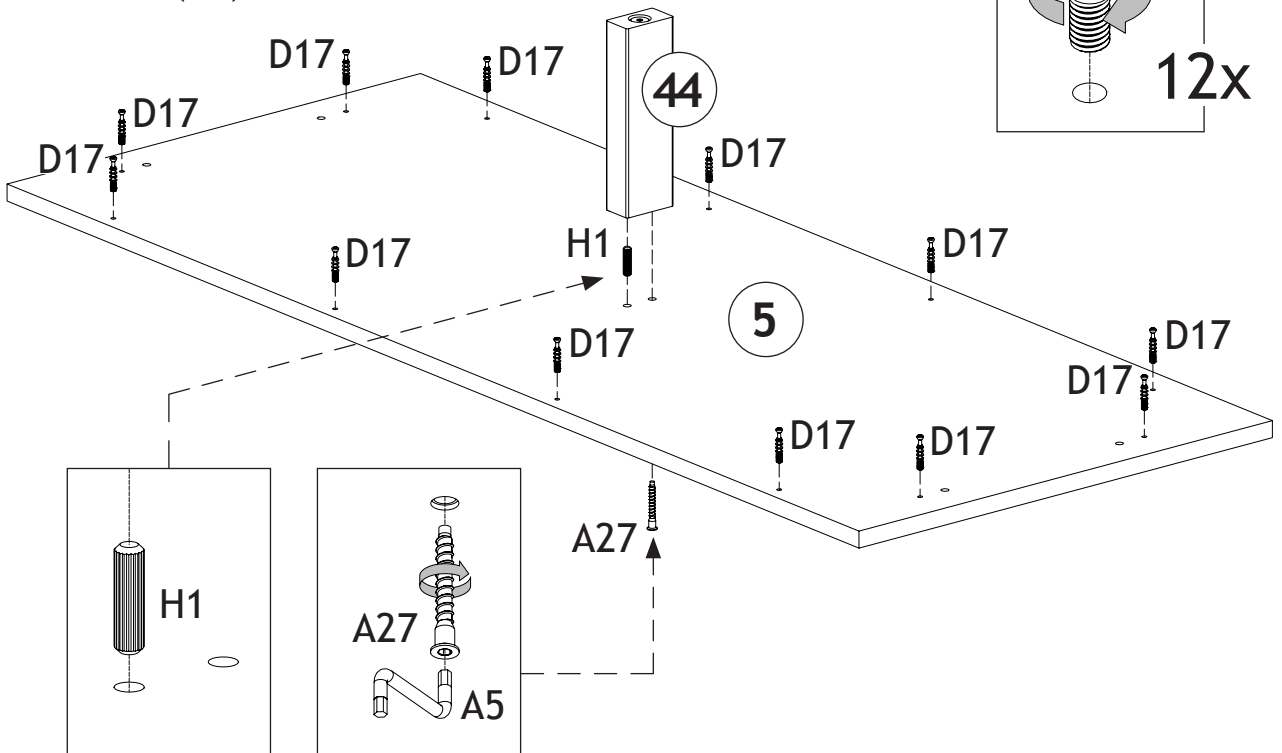
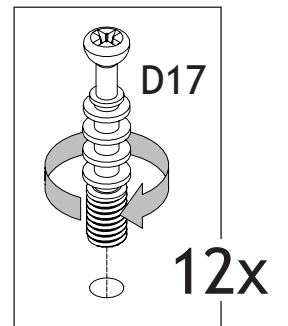
6

$\frac{D197}{(x4)}$   $\frac{A5}{(x1)}$



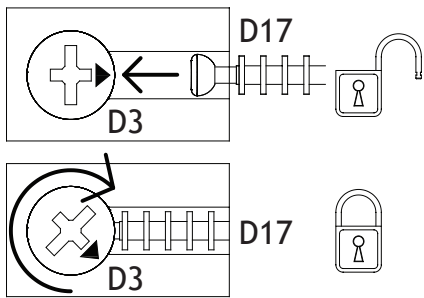
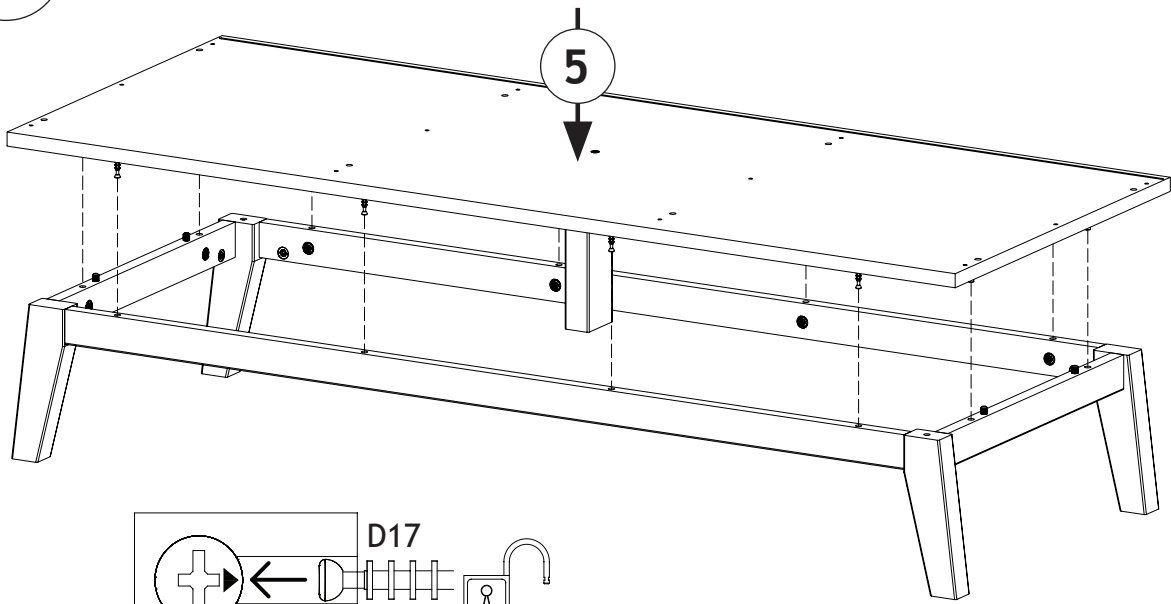
7

$\frac{A27}{(x1)}$   $\frac{D17}{(x12)}$   $\frac{H1}{(x1)}$   $\frac{A5}{(x1)}$



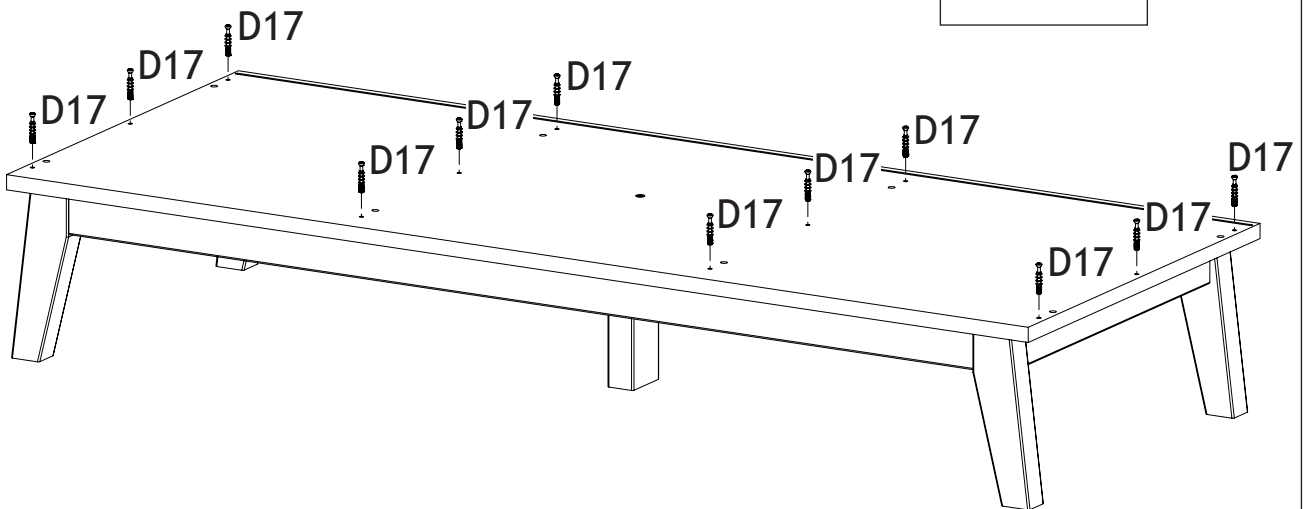
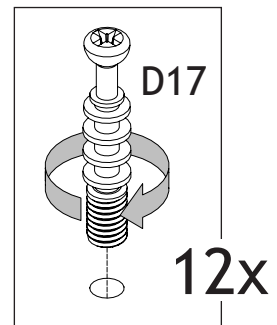
67909

8



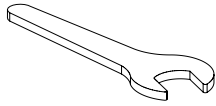
9

  
D17  
(×12)

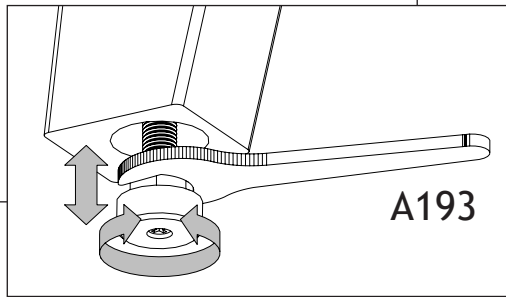
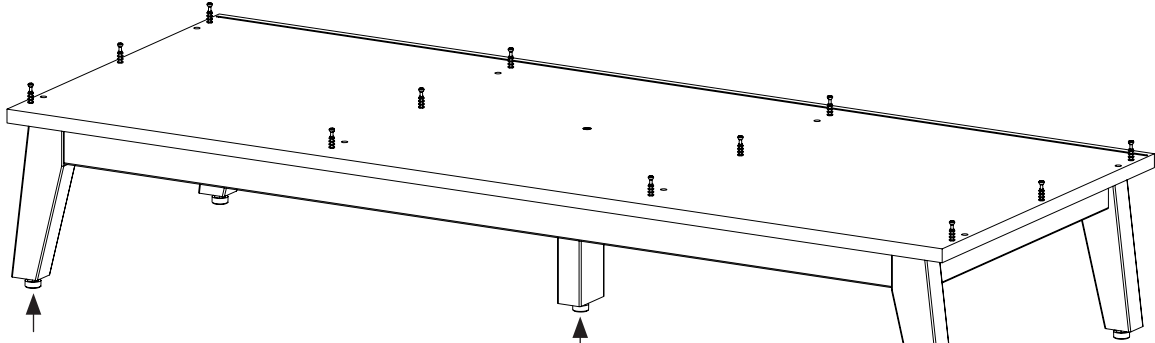
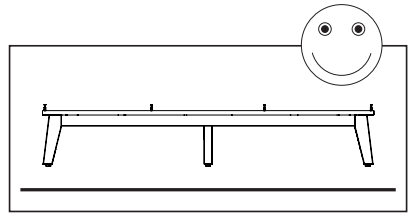
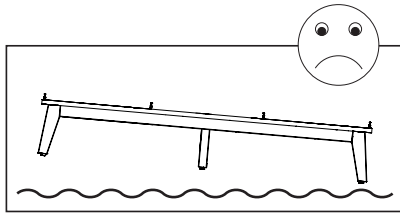


67909

10





A193  
(x1)

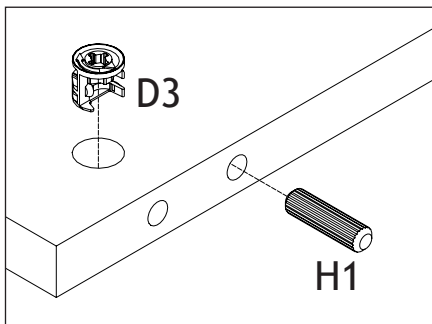
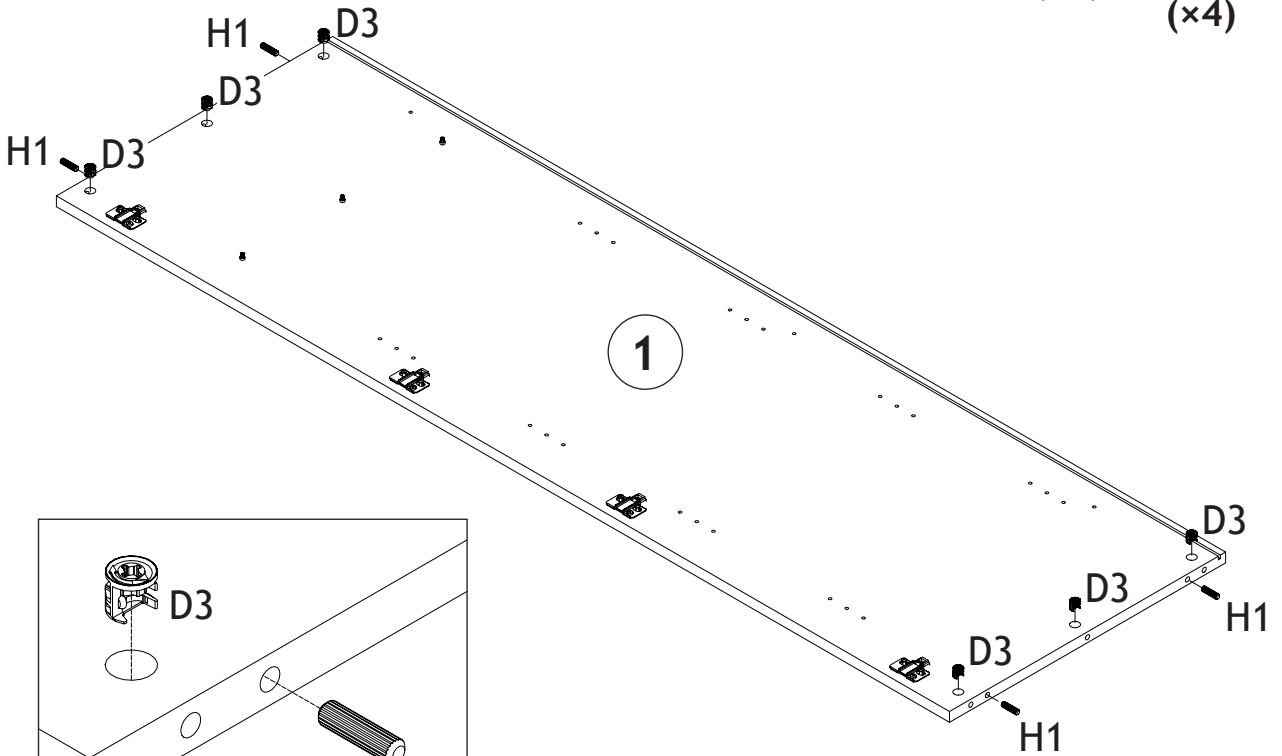


A193

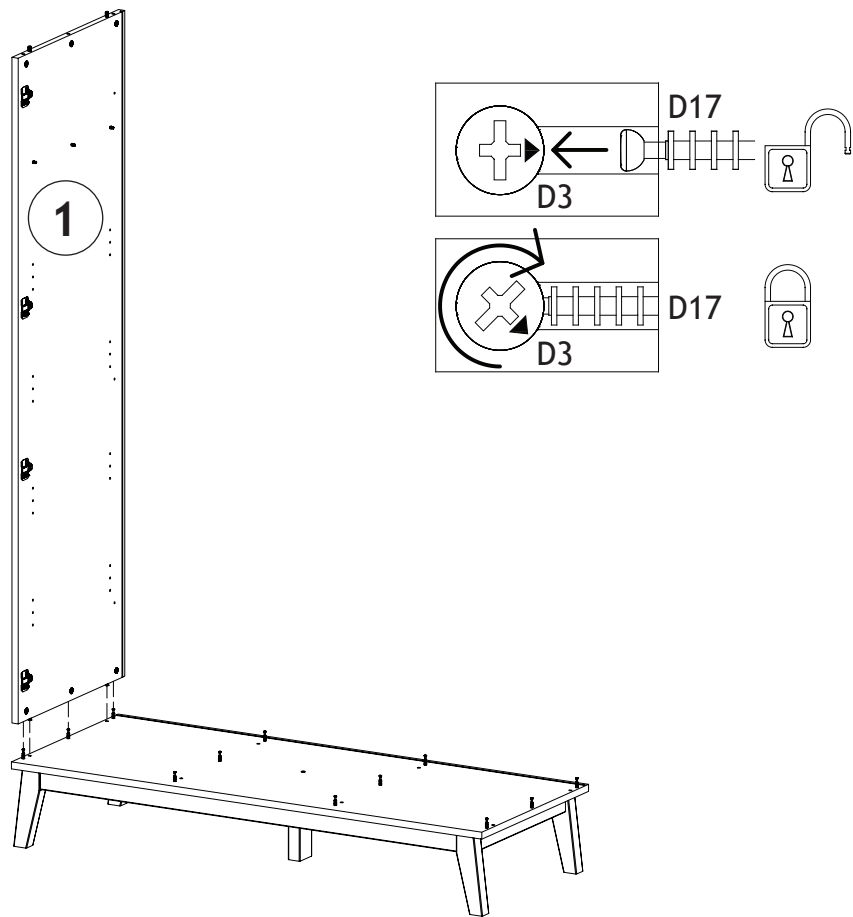
11

  
D3  
(x6)

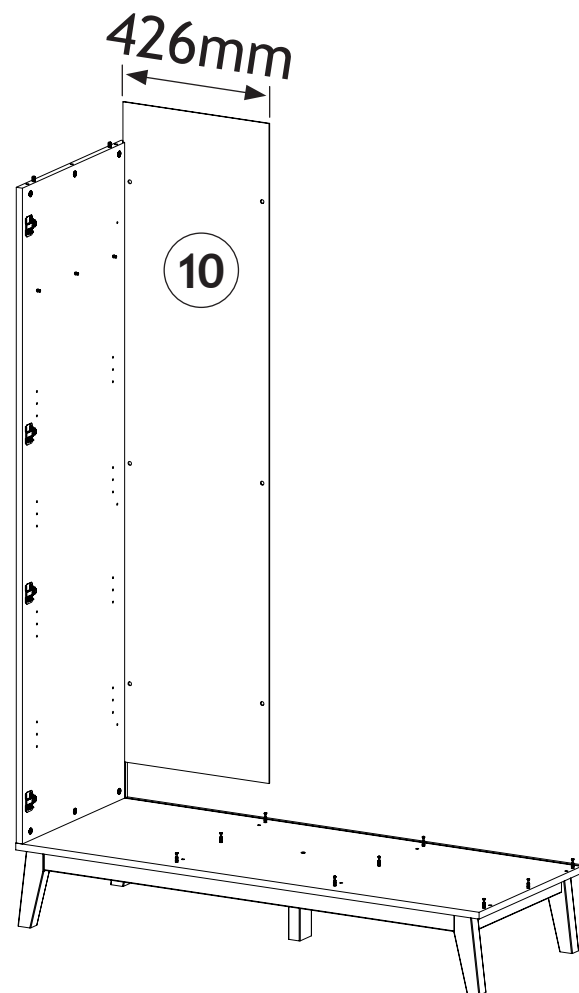
  
H1  
(x4)



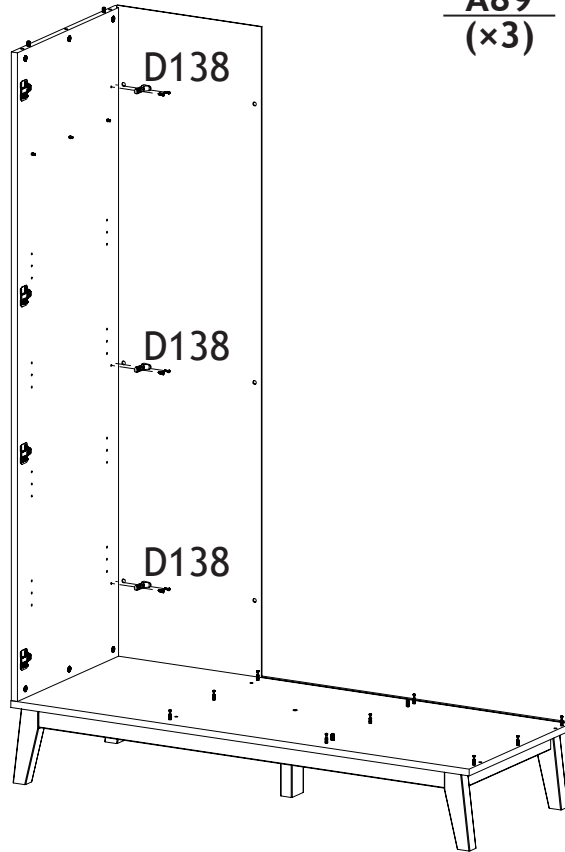
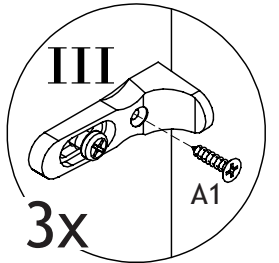
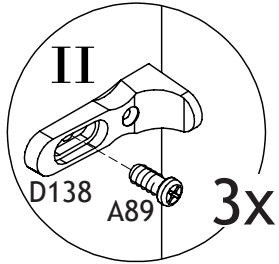
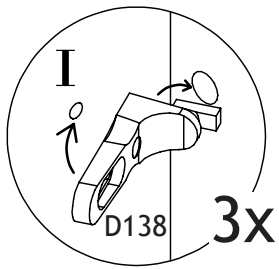
12



13



14

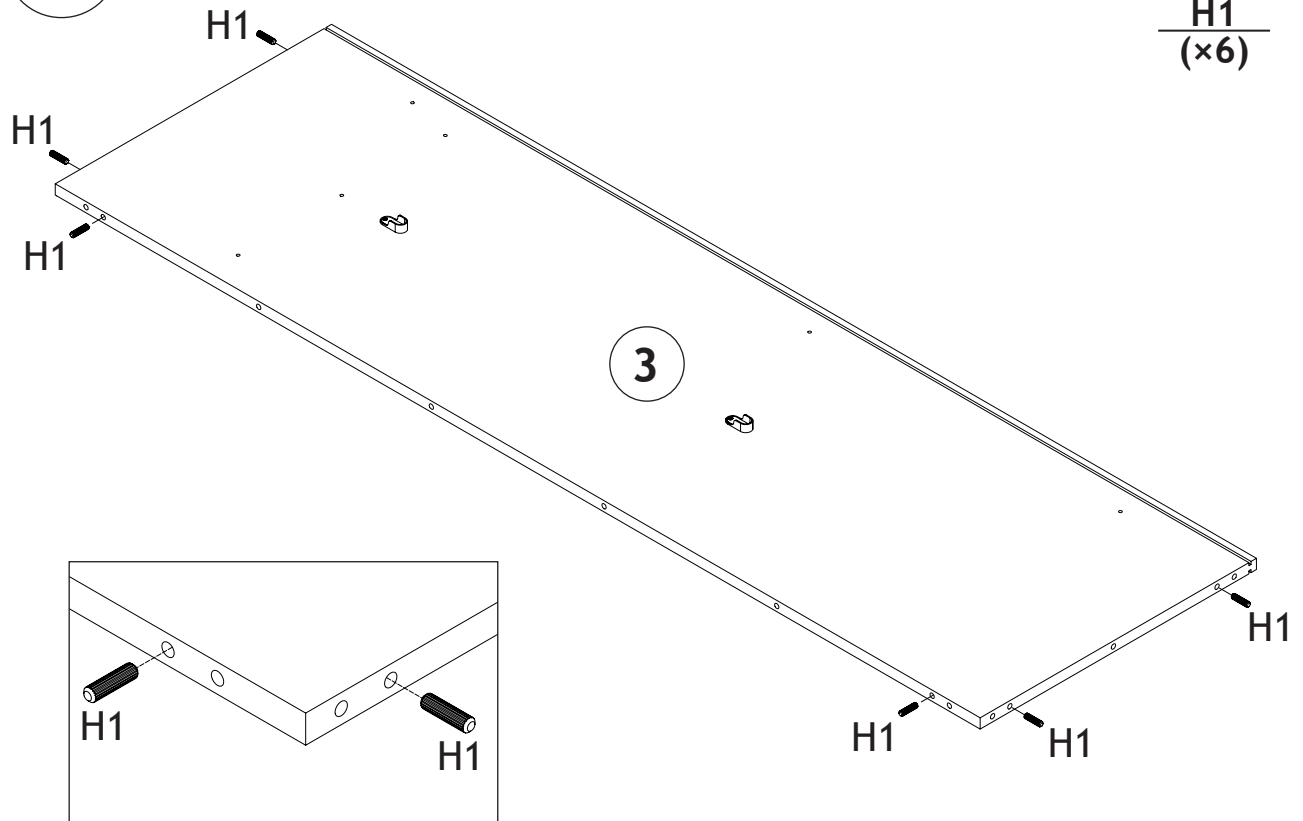


A89  
(x3)

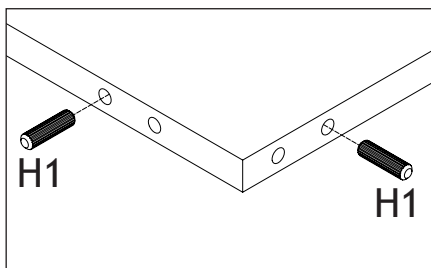
A1  
(x3)

D138  
(x3)

15




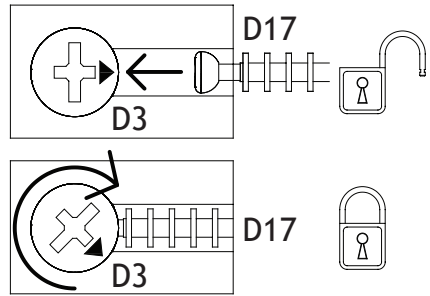
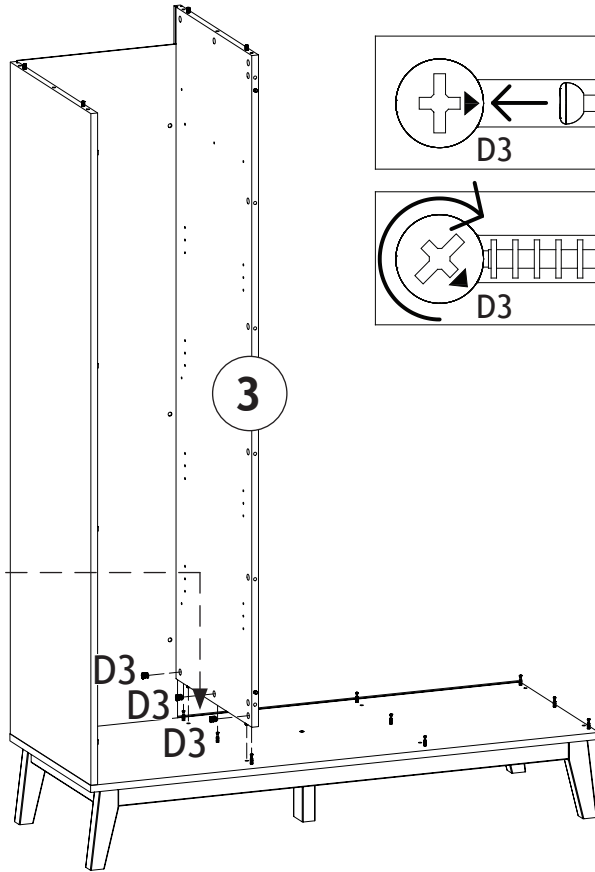
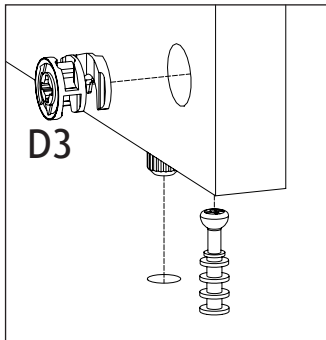
H1  
(x6)




67909


16

  
D3  
(x3)

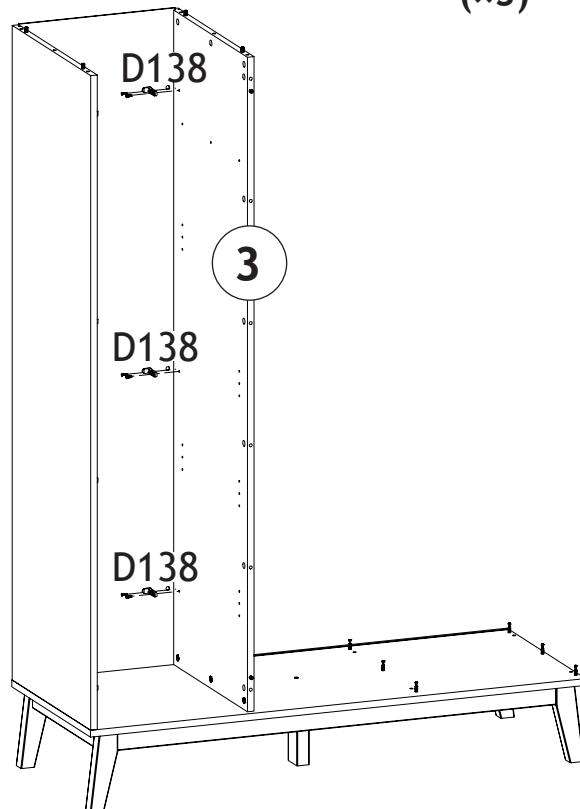
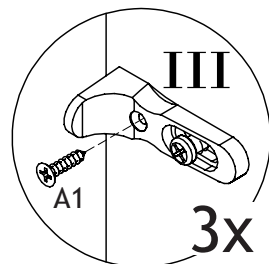
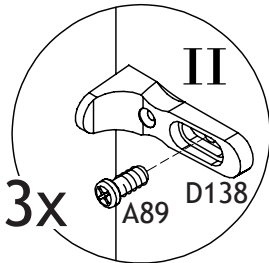
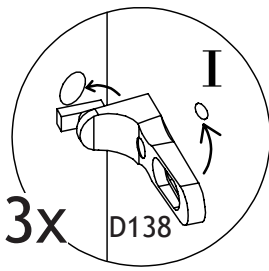


17

  
A89  
(x3)

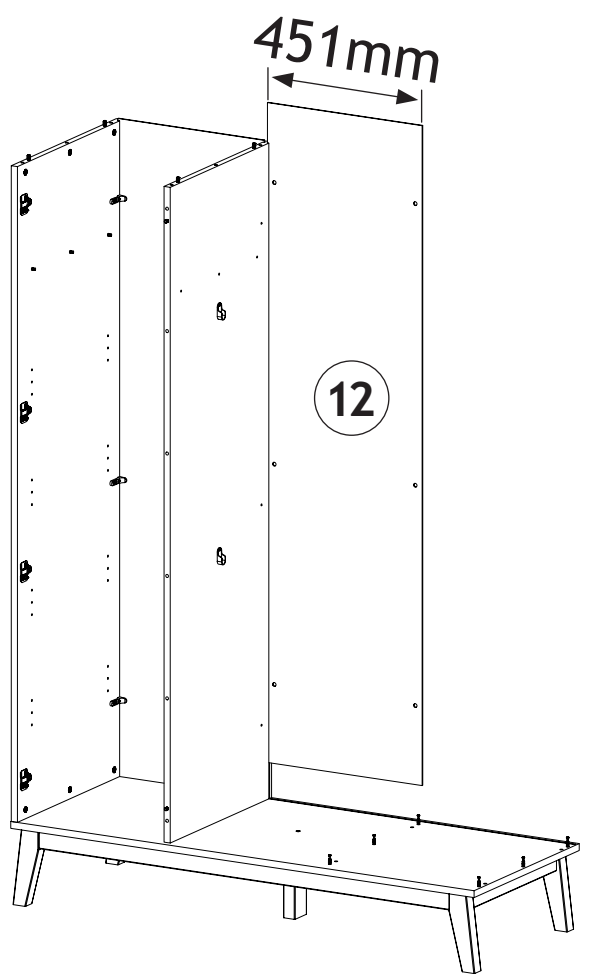
  
A1  
(x3)

  
D138  
(x3)

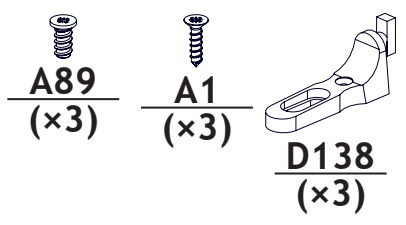
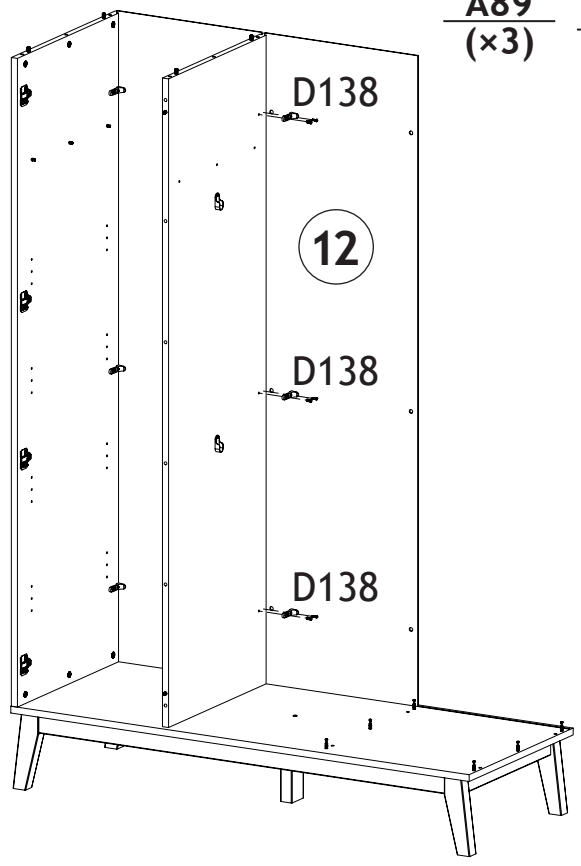
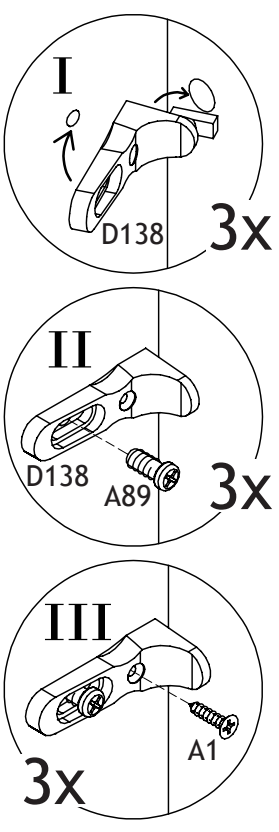


67909

18



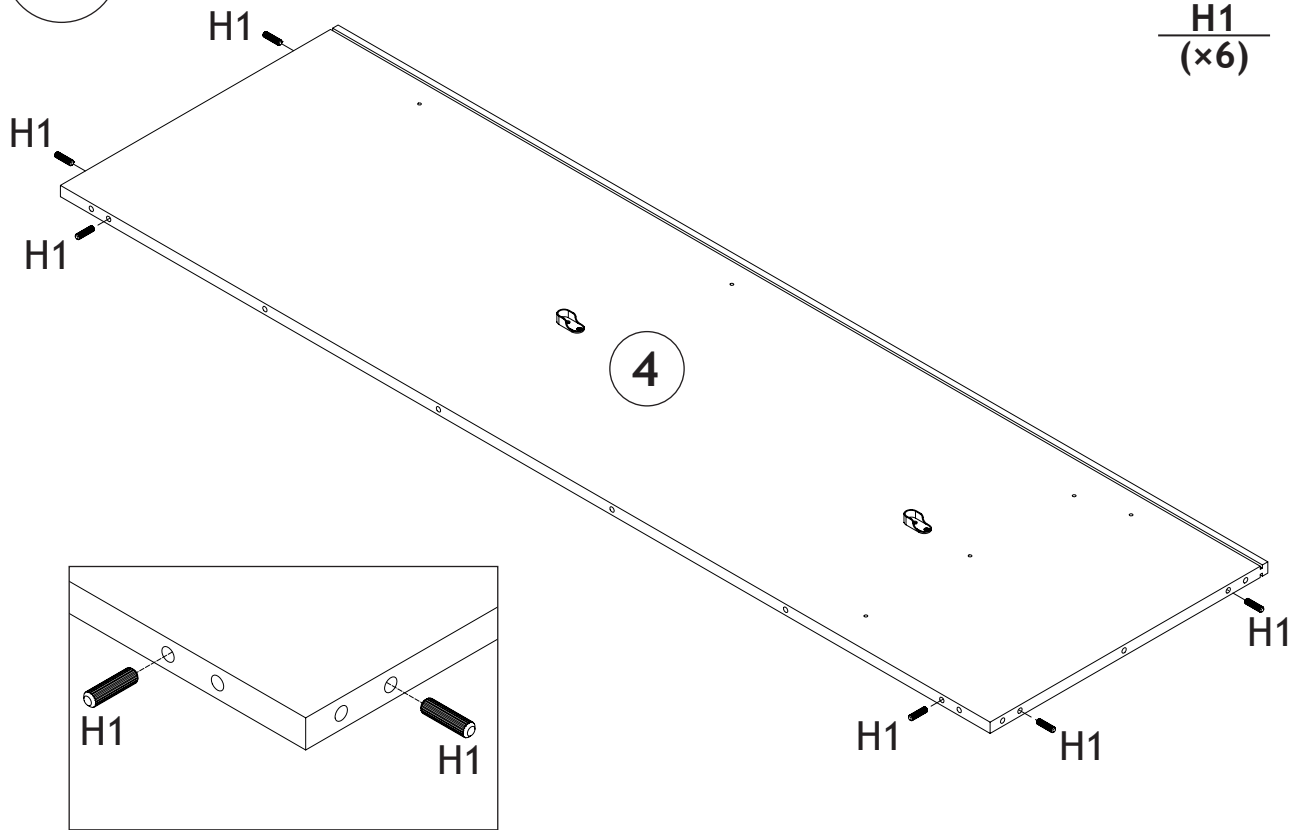
19



67909

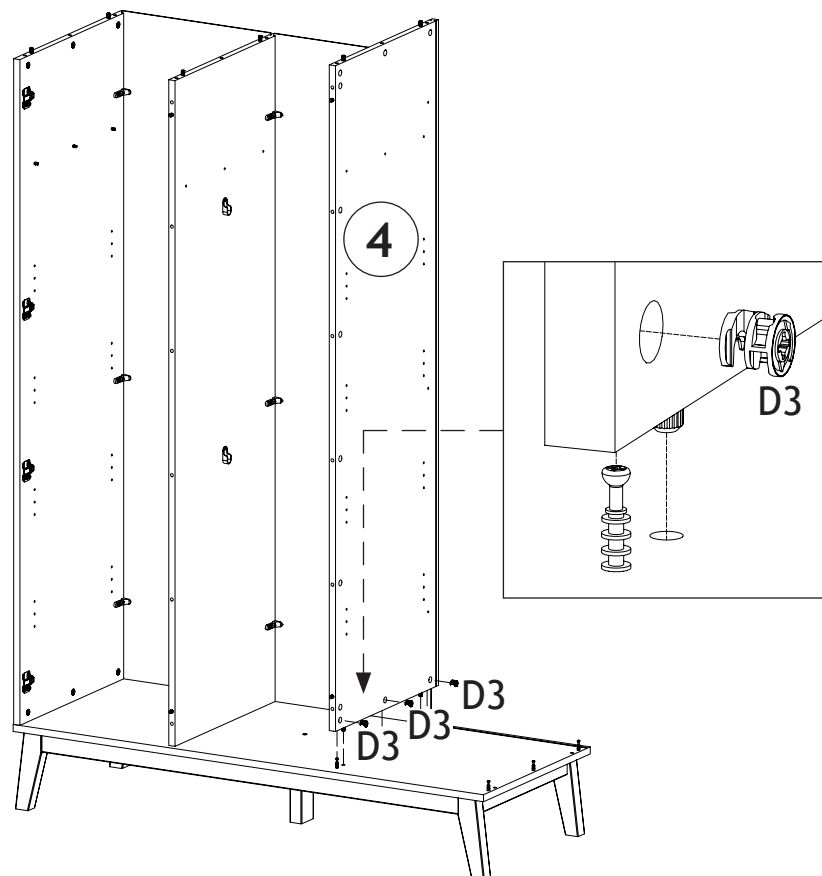
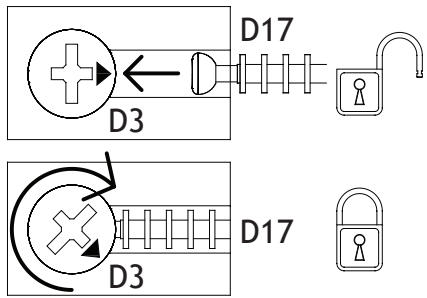
20

H1  
(x6)



21

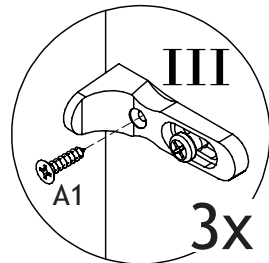
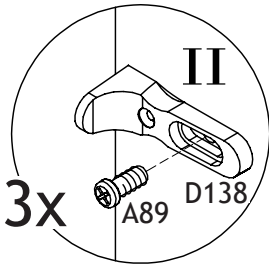
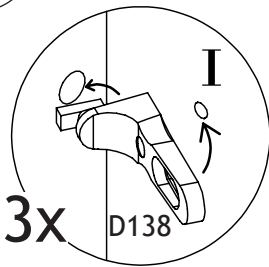
D3  
(x3)



67909



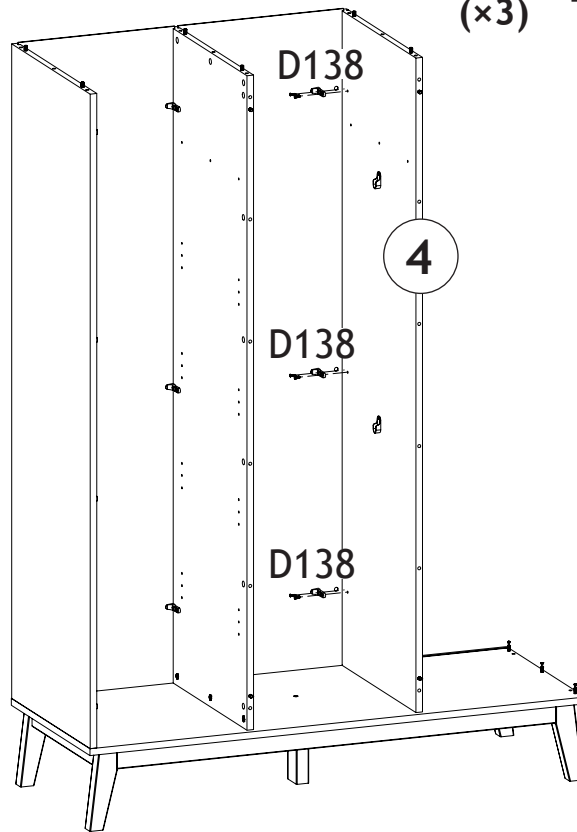
22



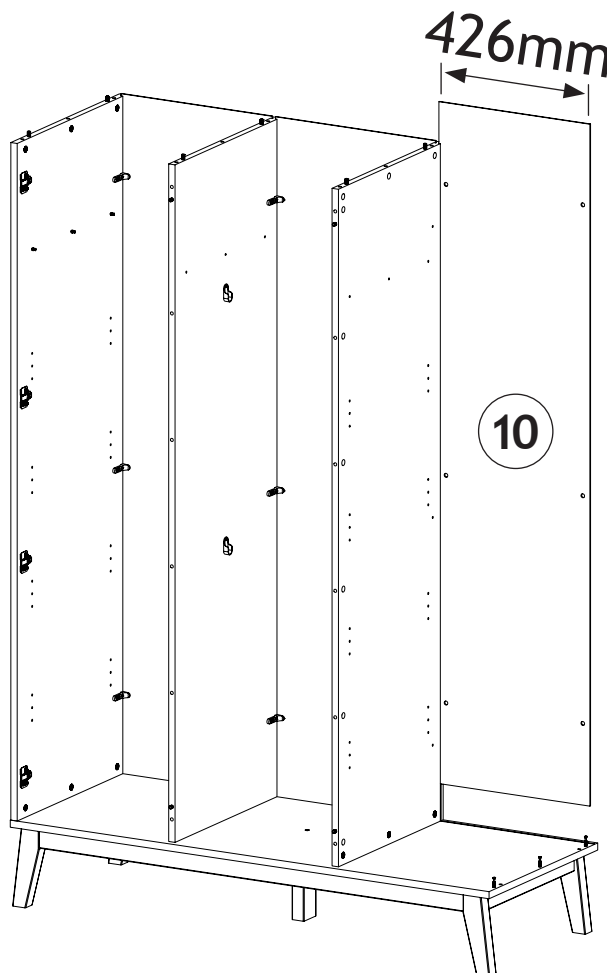
A89  
(x3)

A1  
(x3)

D138  
(x3)

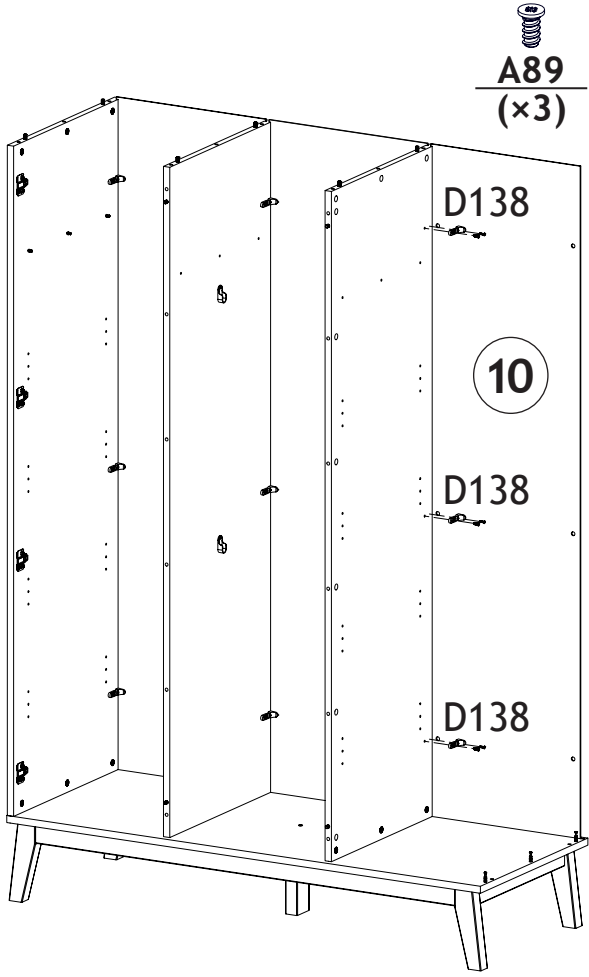
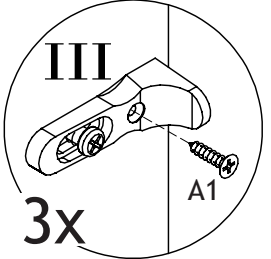
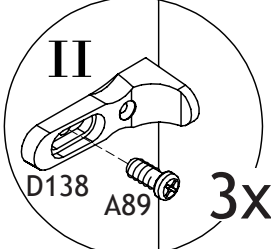
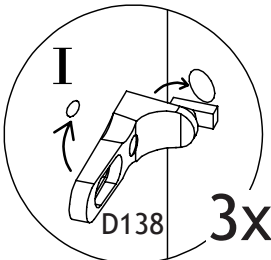


23

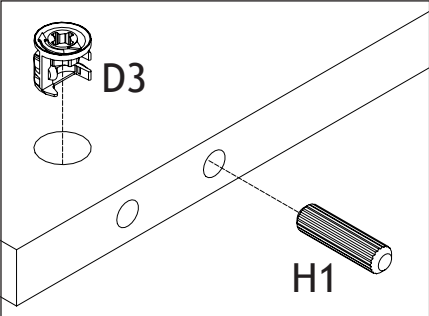
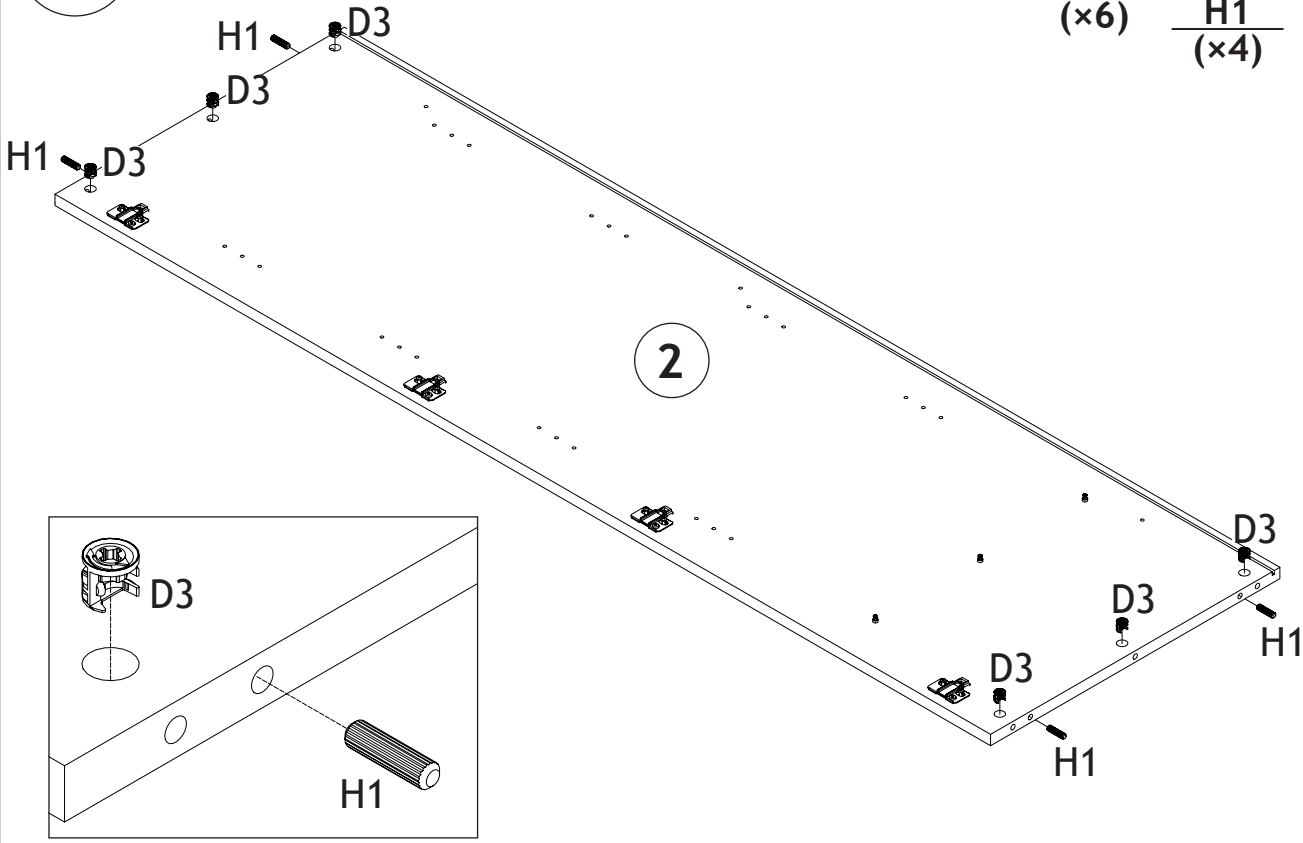


67909

24



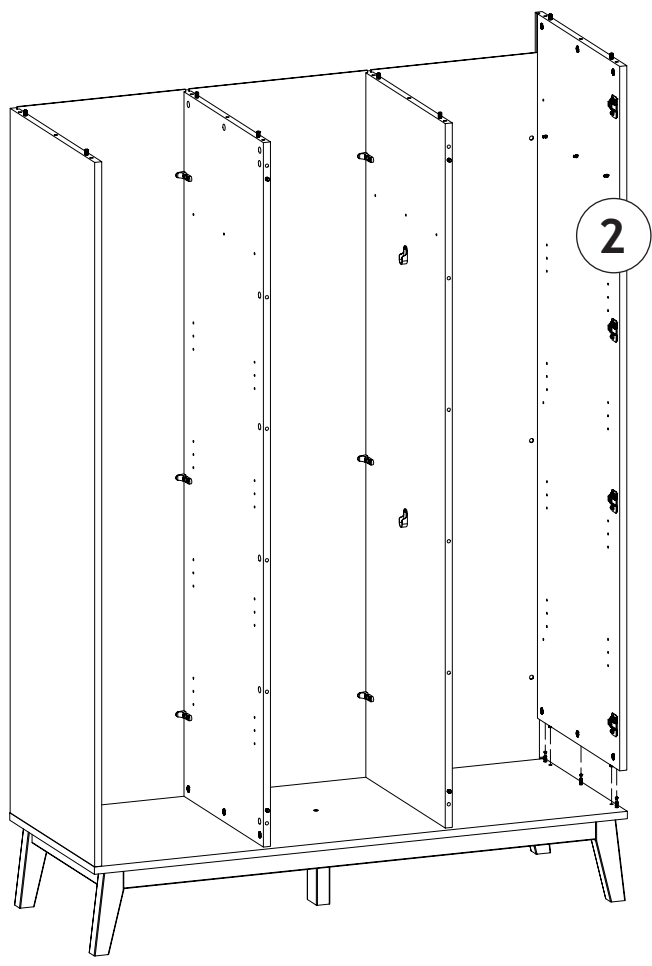
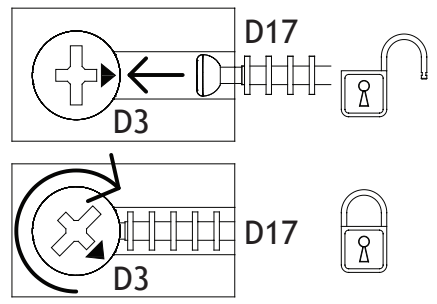
25



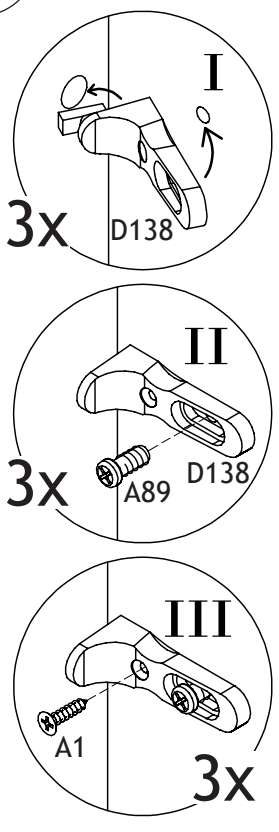
D3 (x6) H1 (x4)



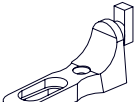
67909

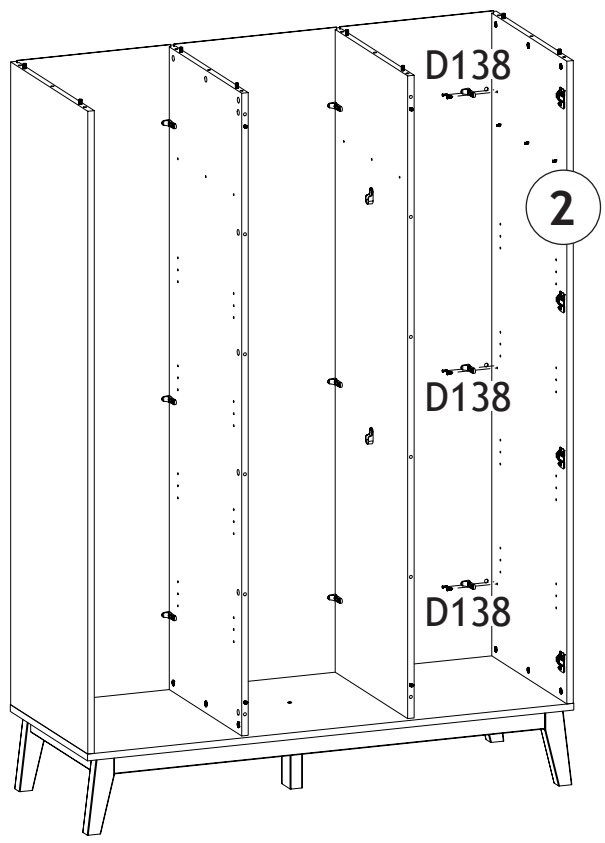
26



27

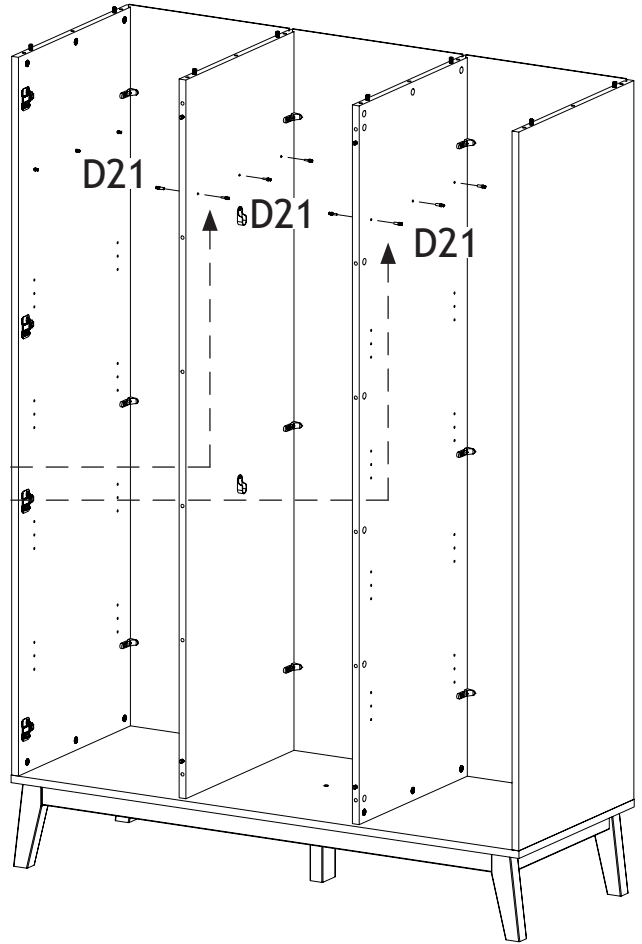
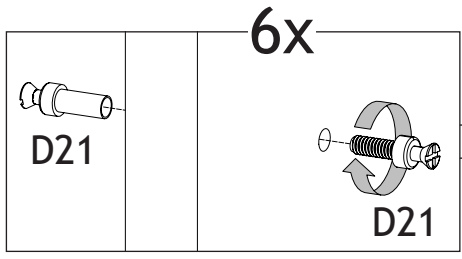


-  **A89**  
(x3)
-  **A1**  
(x3)
-  **D138**  
(x3)

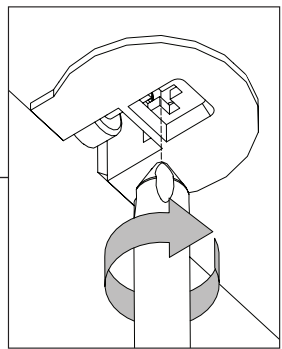
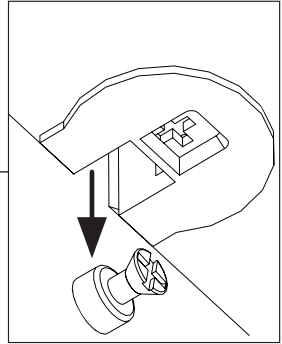
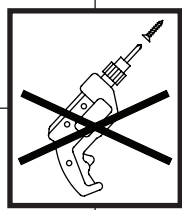
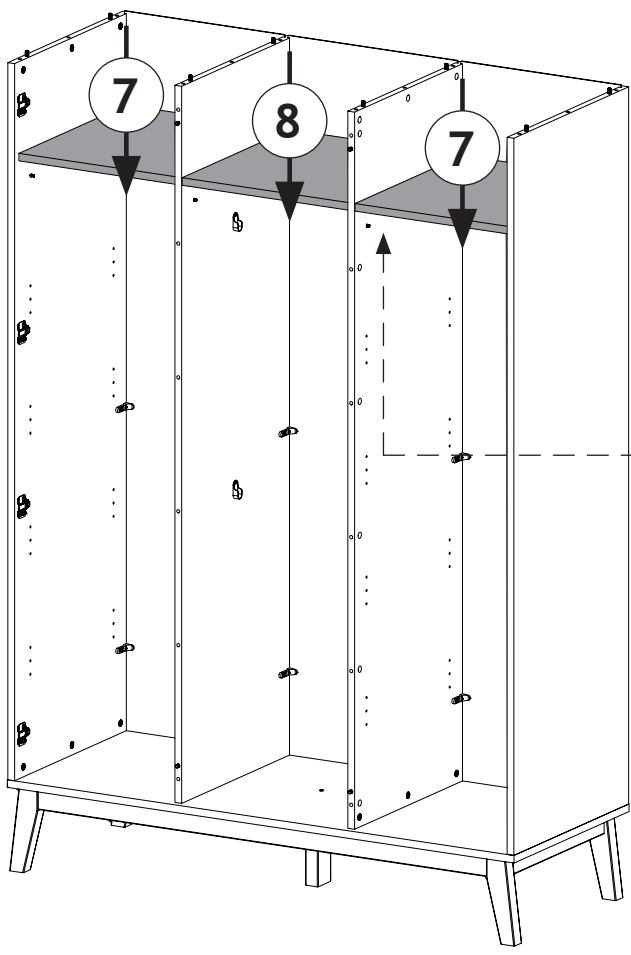


67909

28



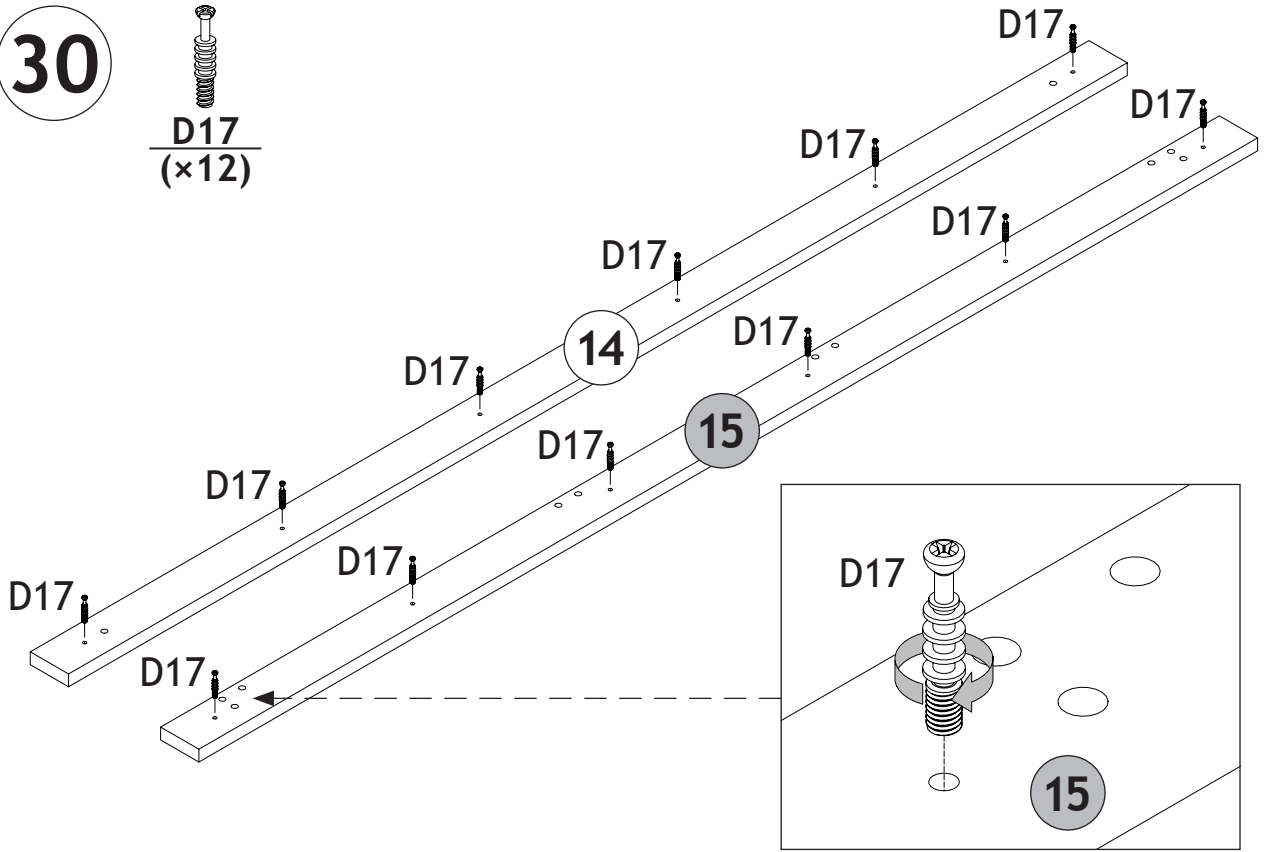
29



67909

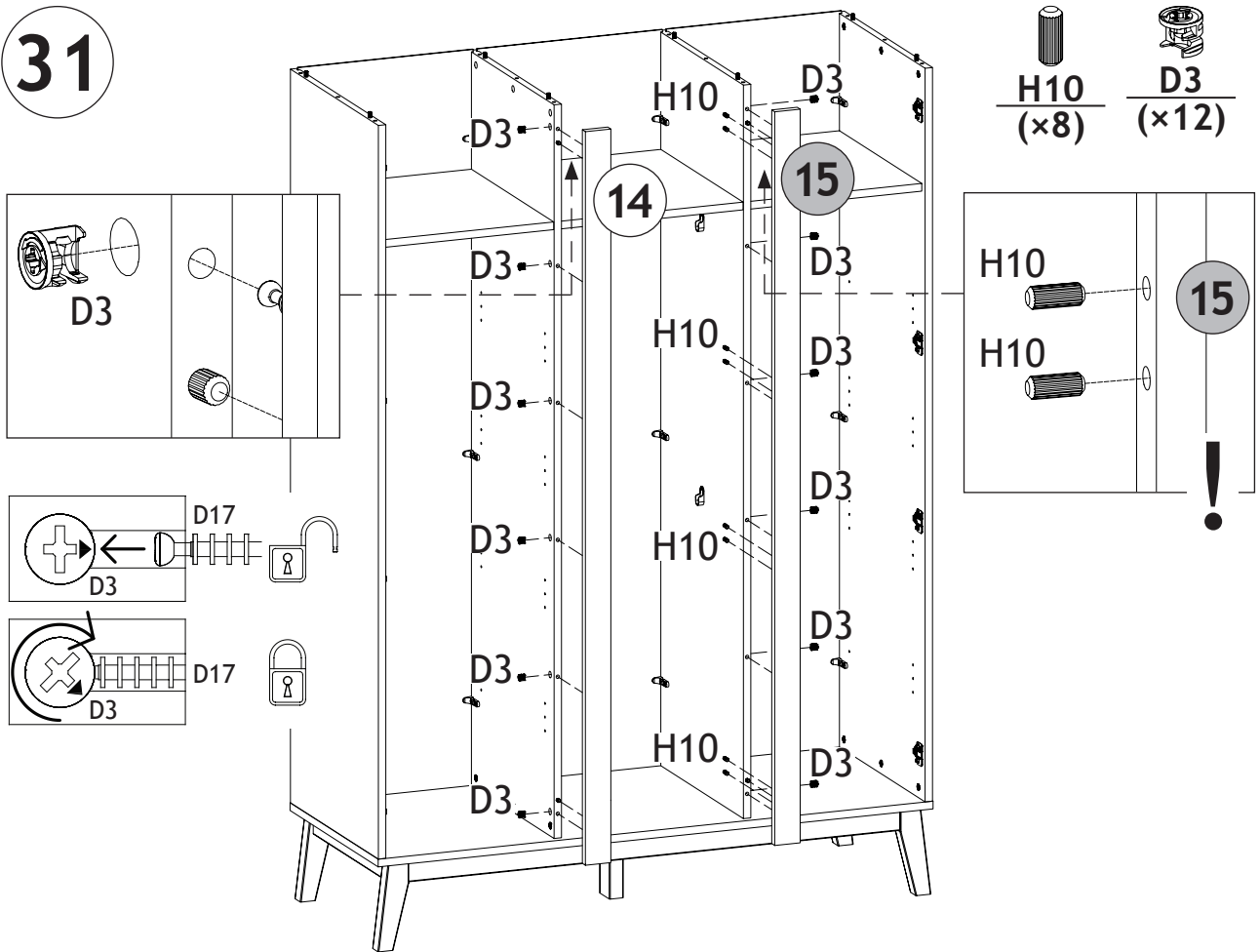
30

D17  
(x12)



31

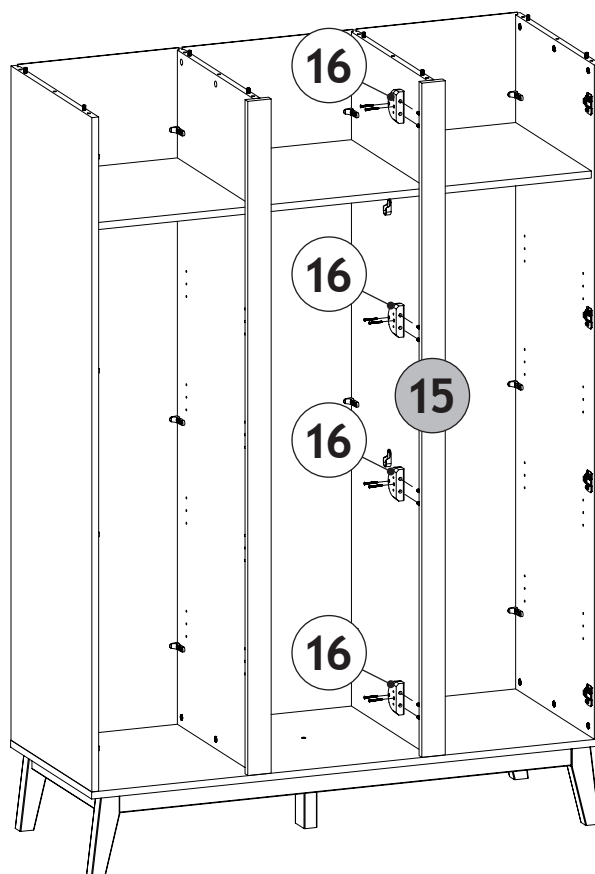
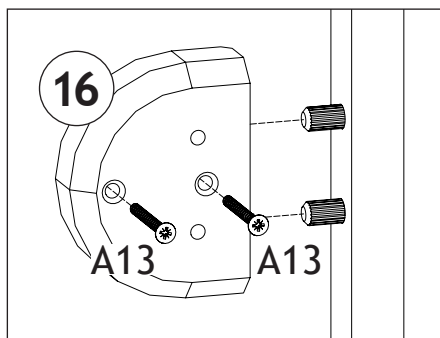
H10 (x8)      D3 (x12)



67909

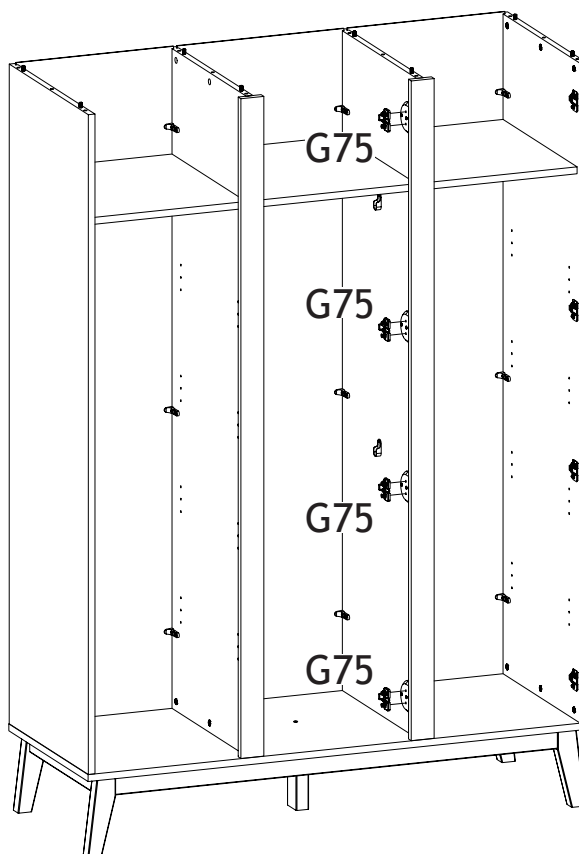
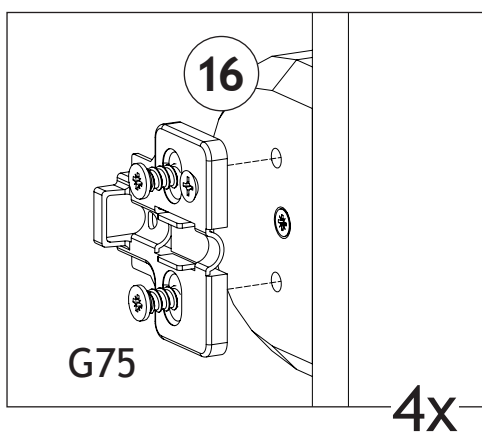
32

A13  
(x8)



33

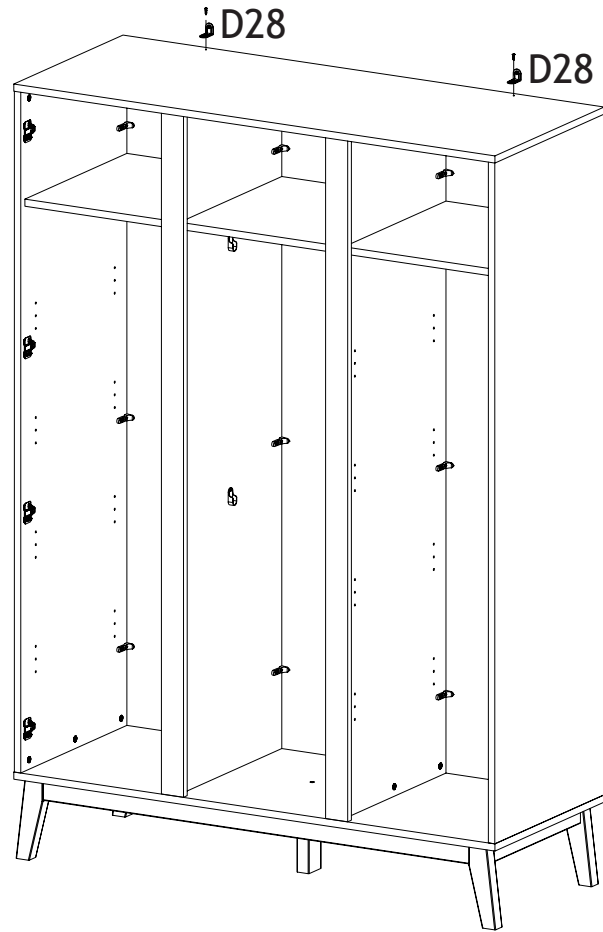
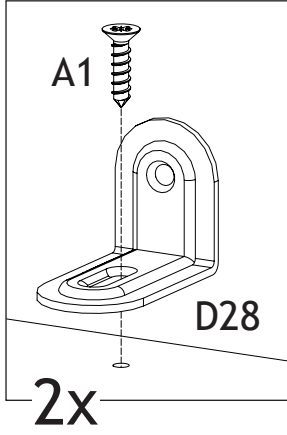
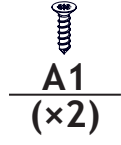
G75  
(x4)



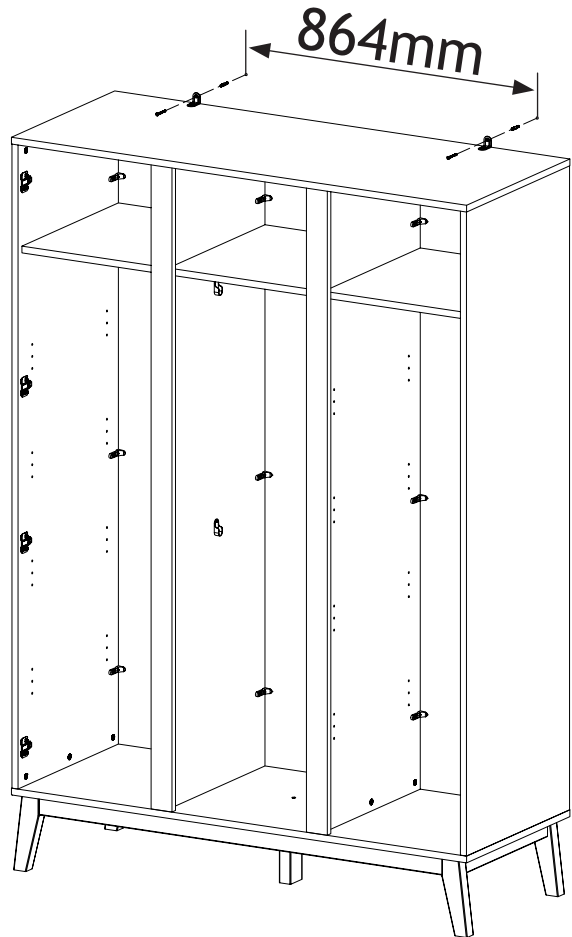
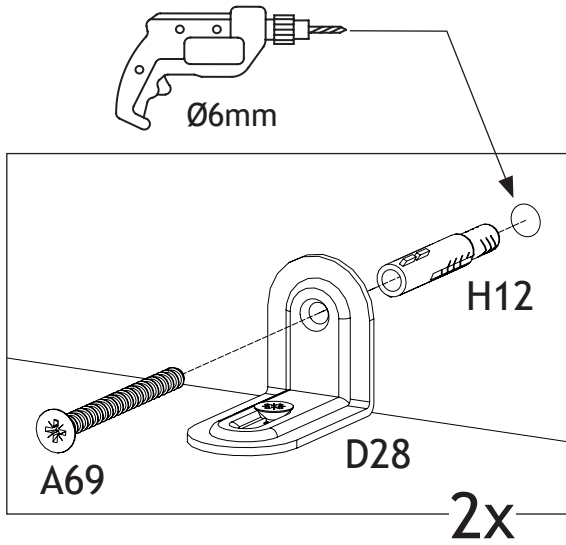
67909



36



37



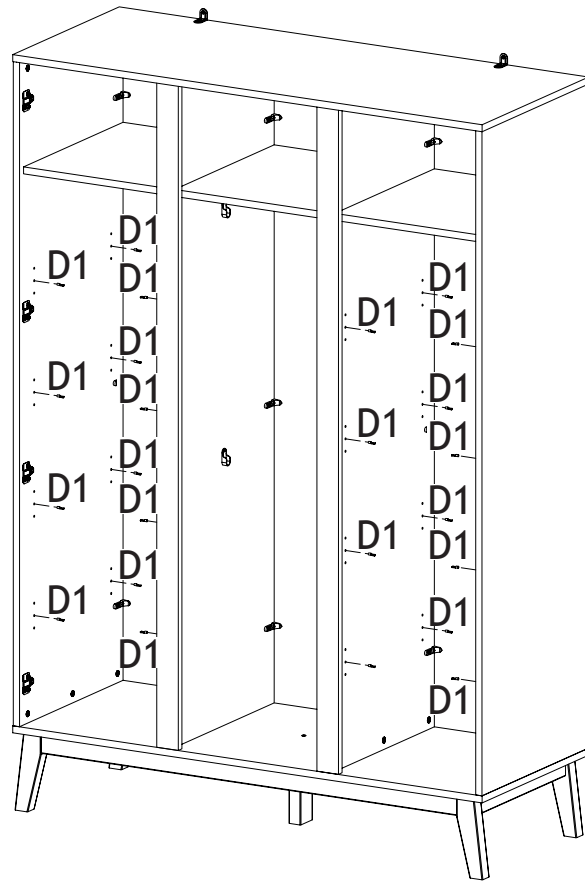
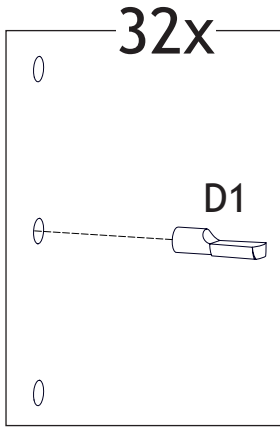
67909



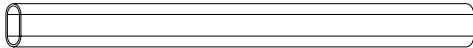
38



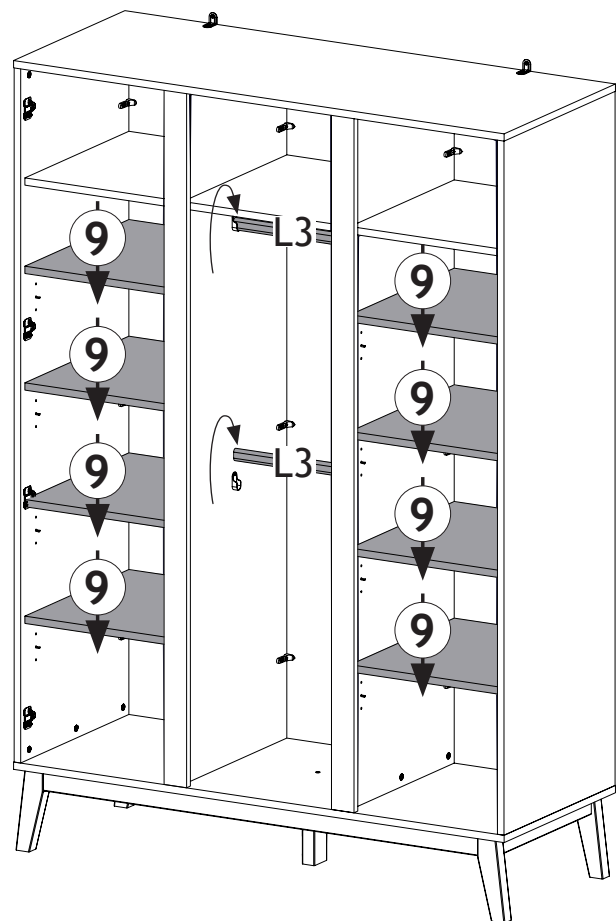
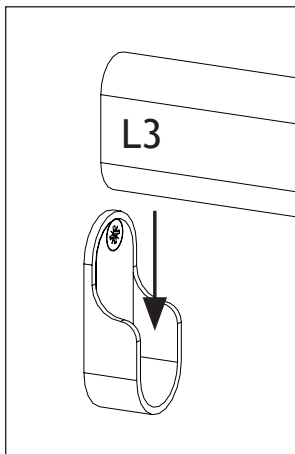
D1  
(x32)



39

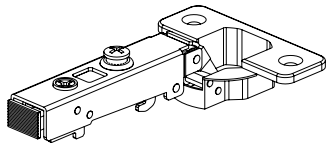


L3  
(x2)

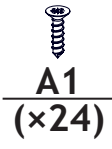


67909

40

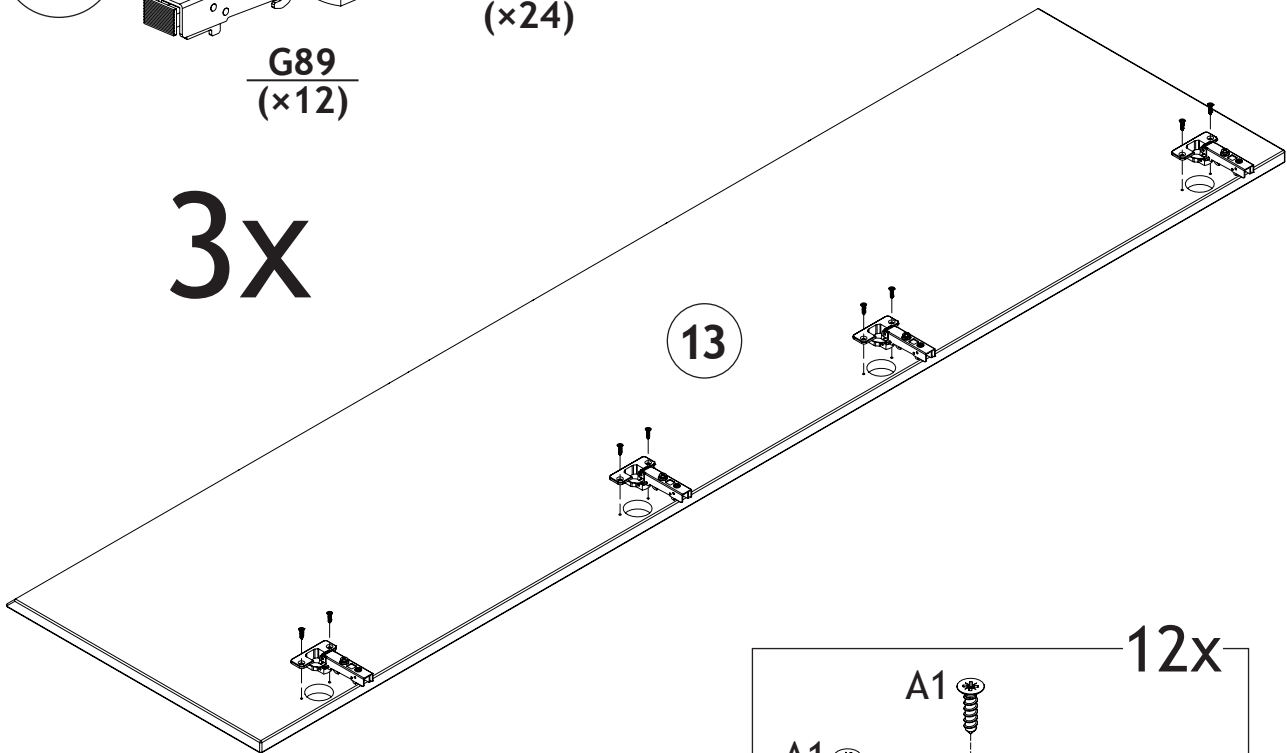


G89  
(x12)

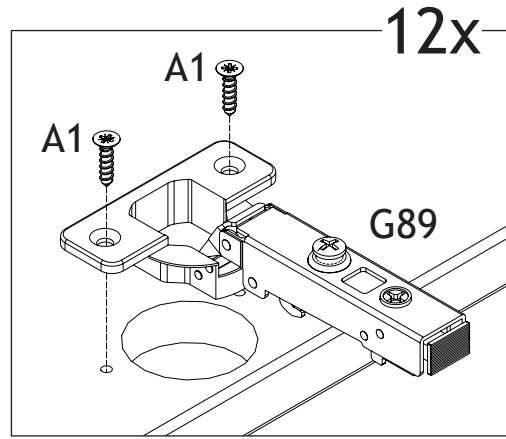


A1  
(x24)

3x



13



12x

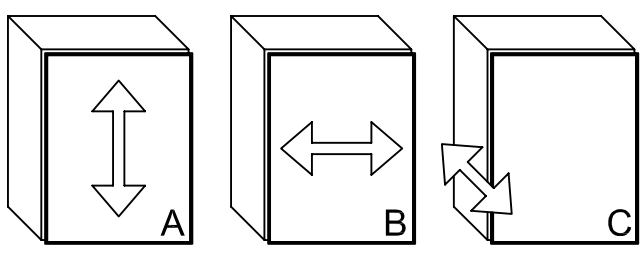
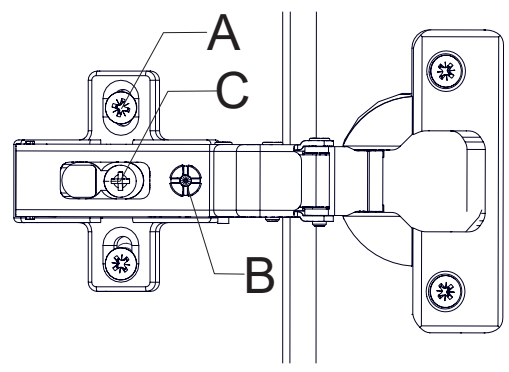
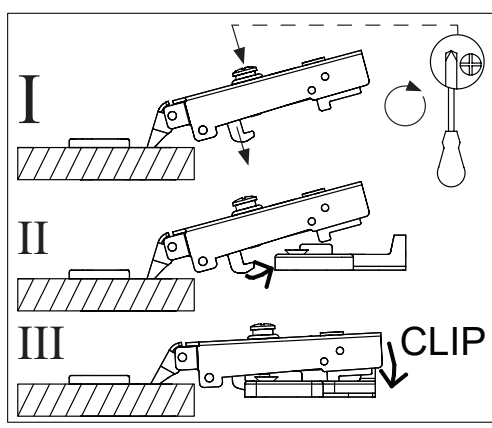
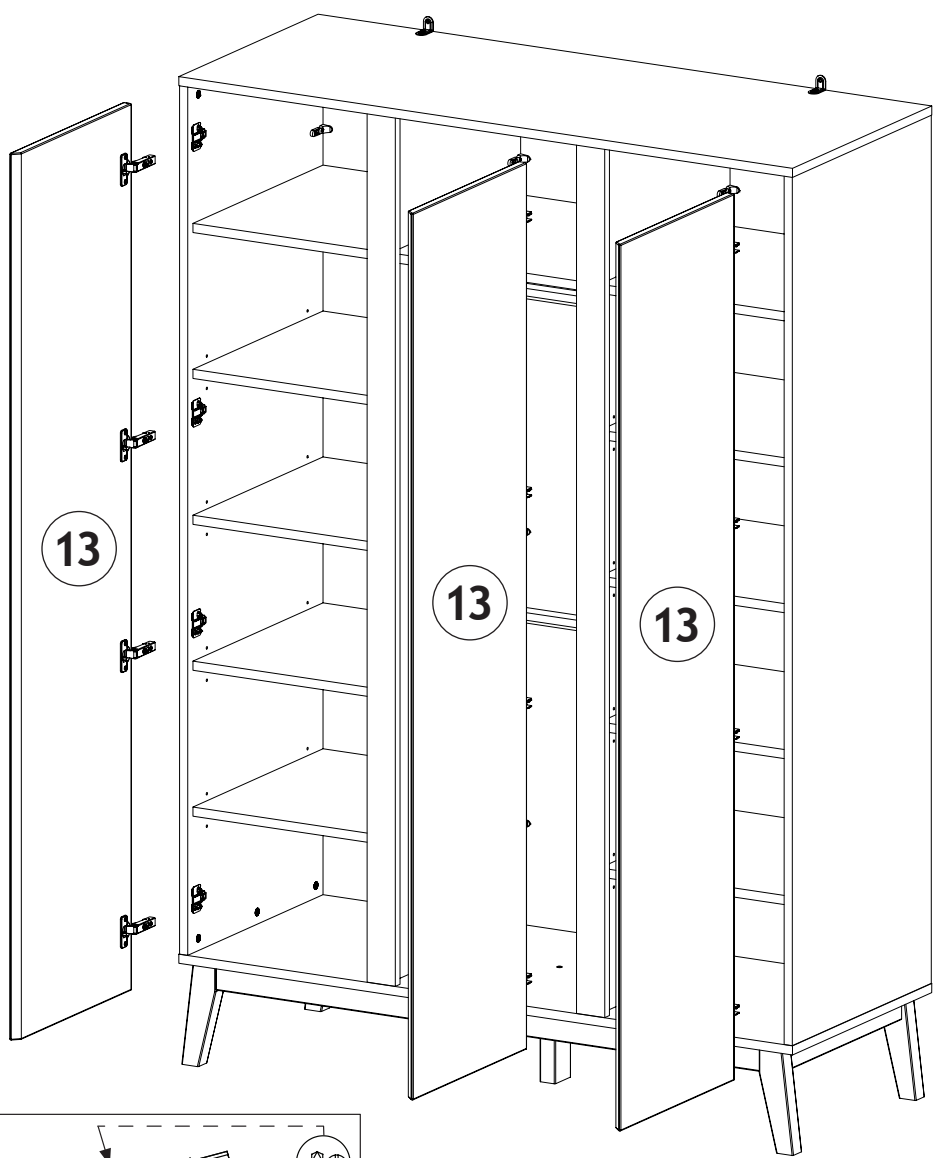
A1

A1

G89

67909

41



67909